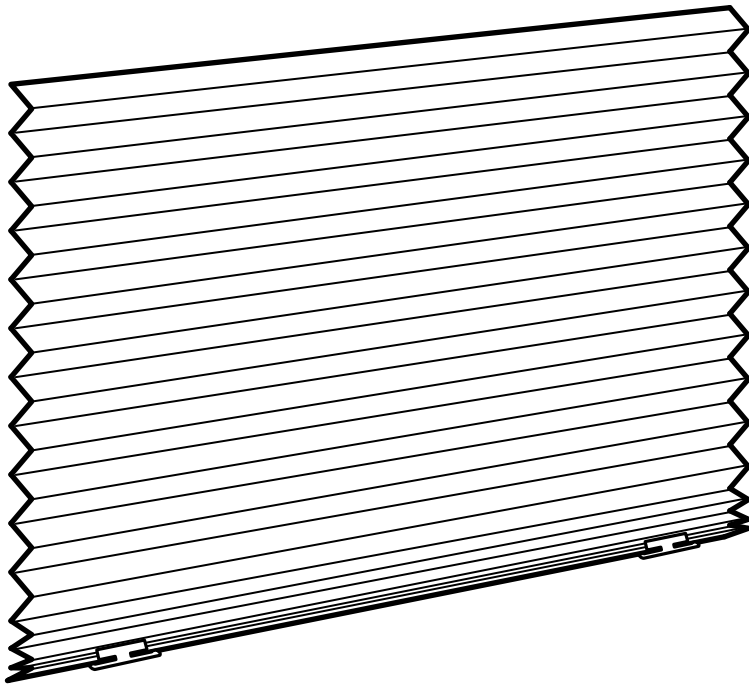
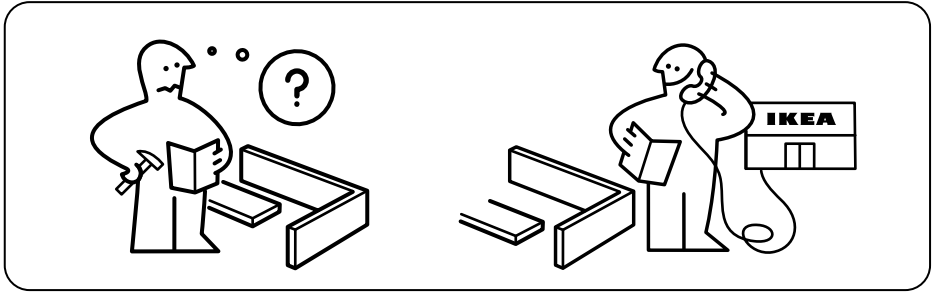
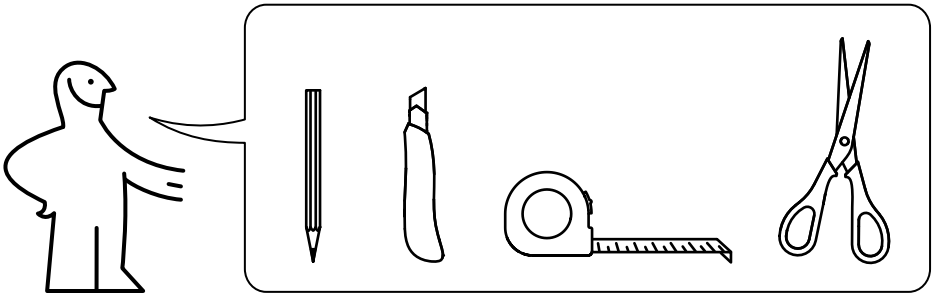


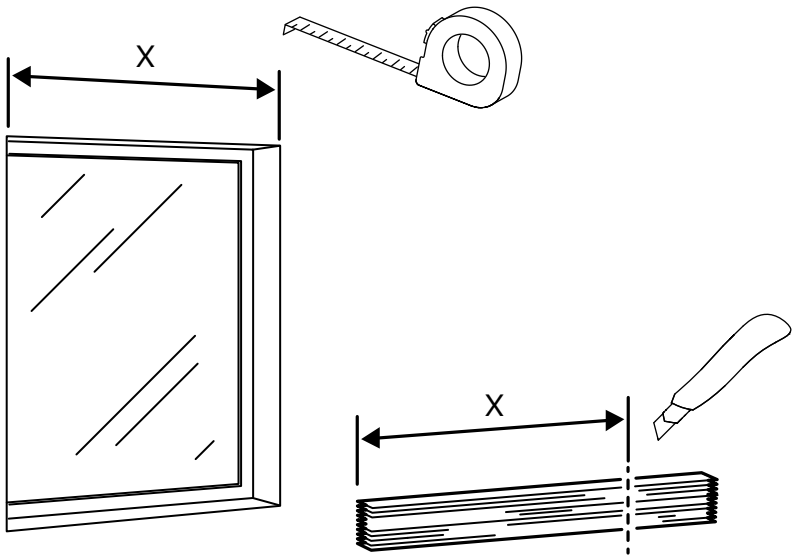
# VINTER 2016



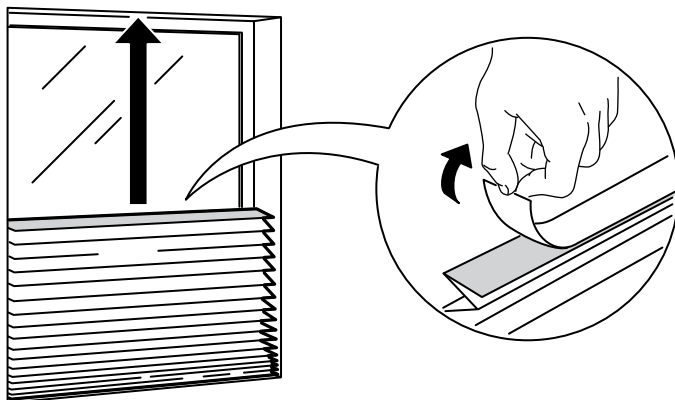
Design and Quality  
IKEA of Sweden



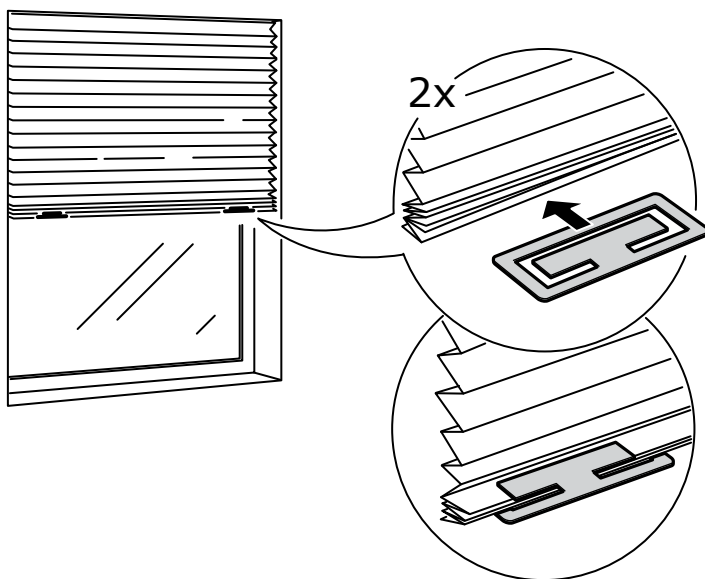
1

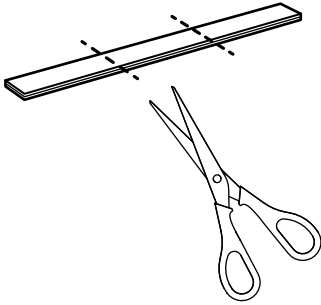


**2**



**3**





3x

