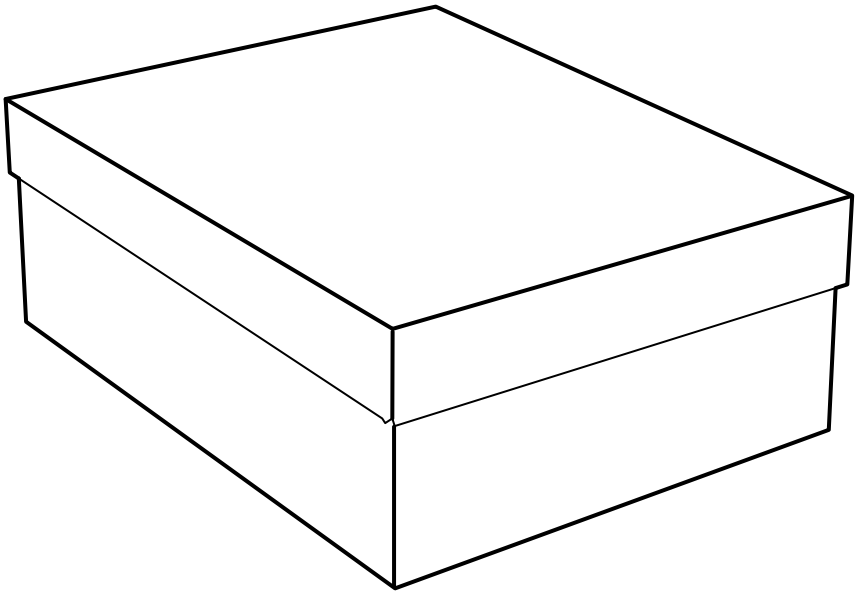
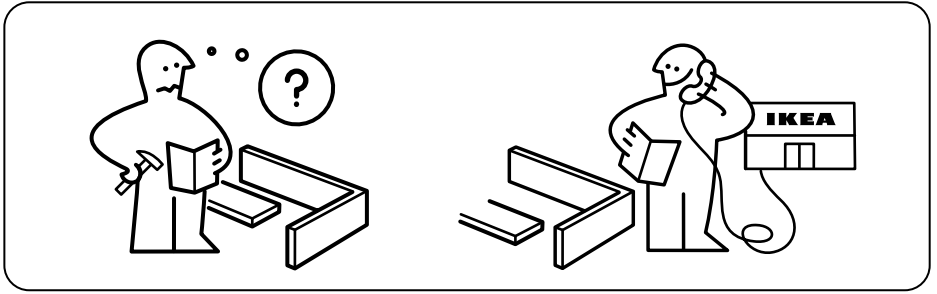


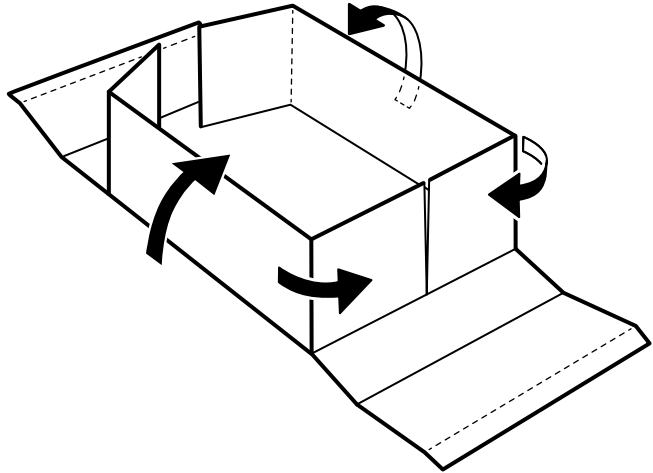
# VINTER 2019



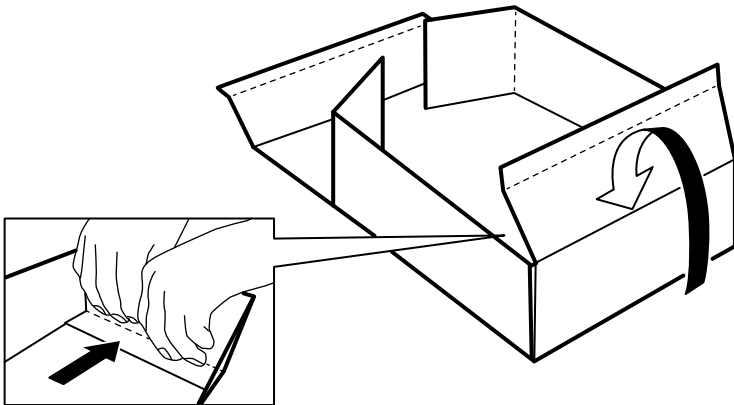
Design and Quality  
IKEA of Sweden



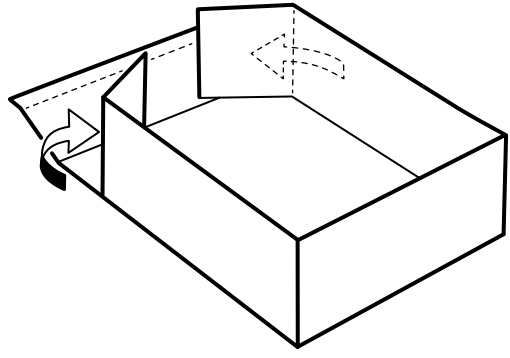
**1**



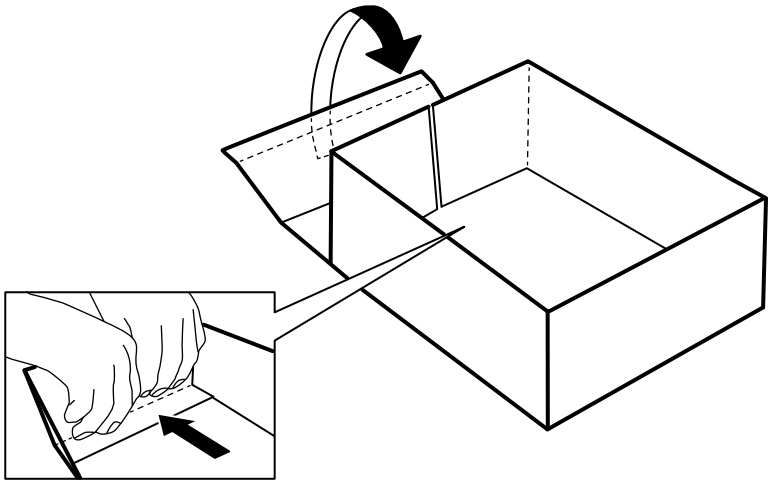
**2**



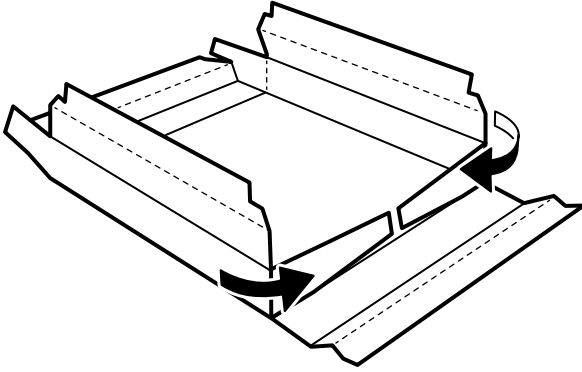
**3**



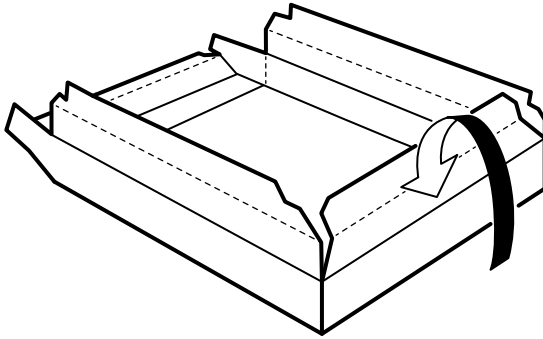
**4**



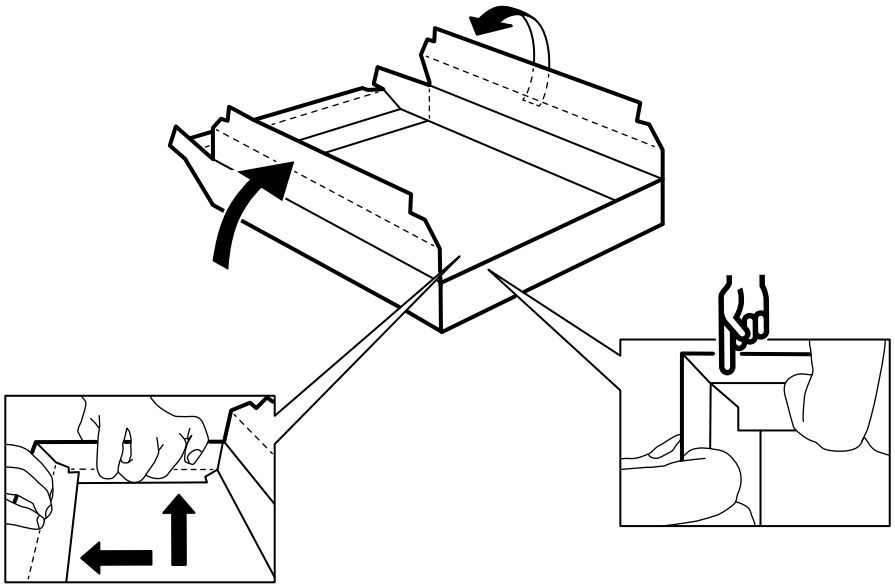
**5**



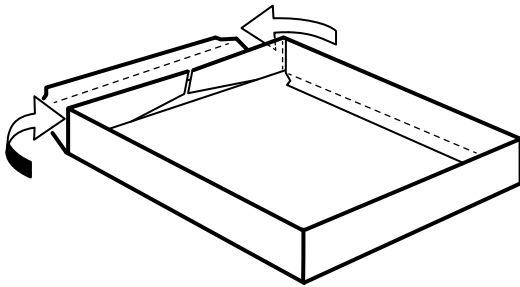
**6**



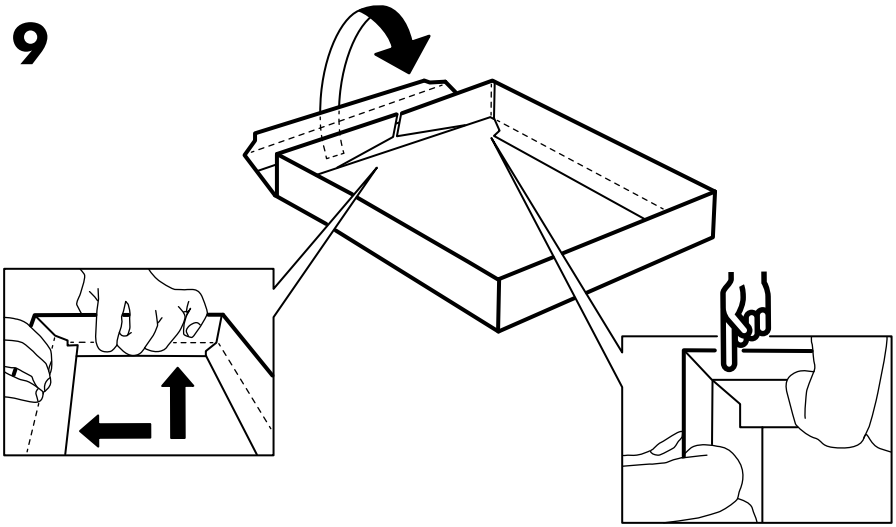
7



8



9



10

