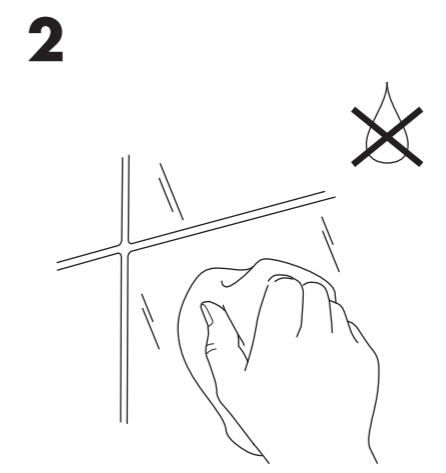
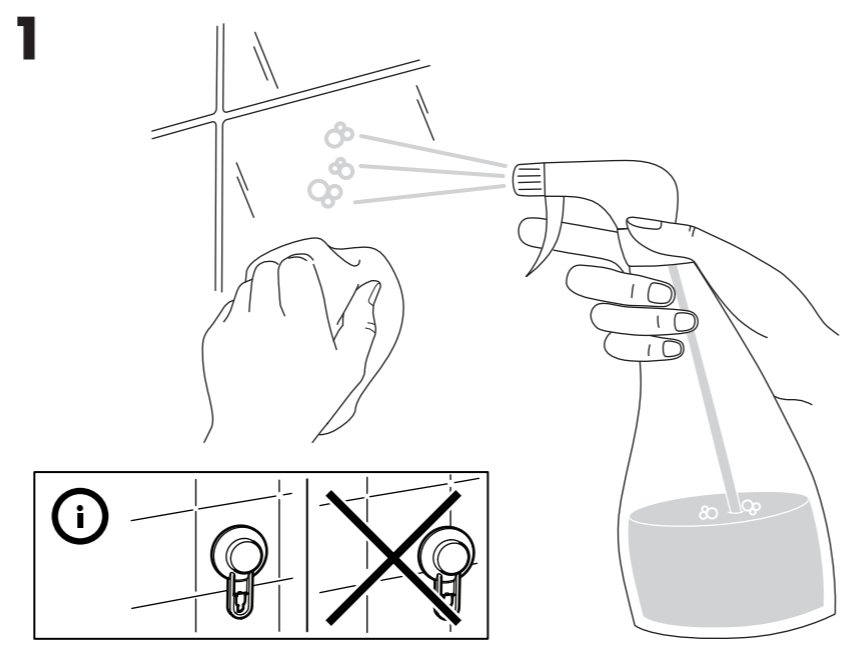
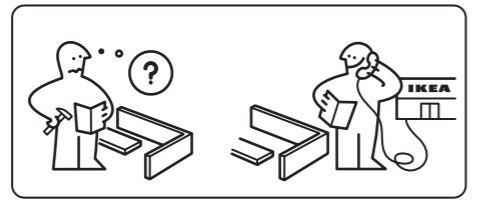
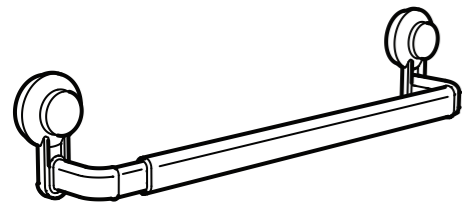
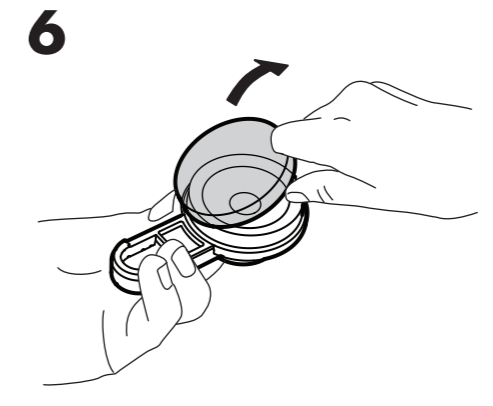
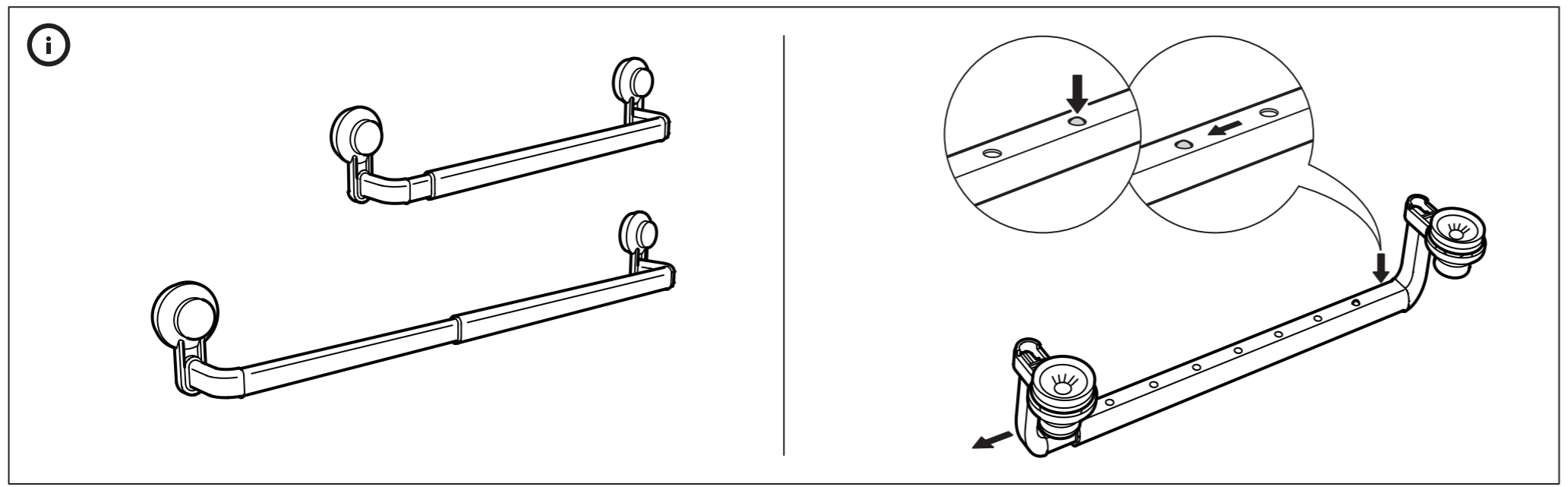
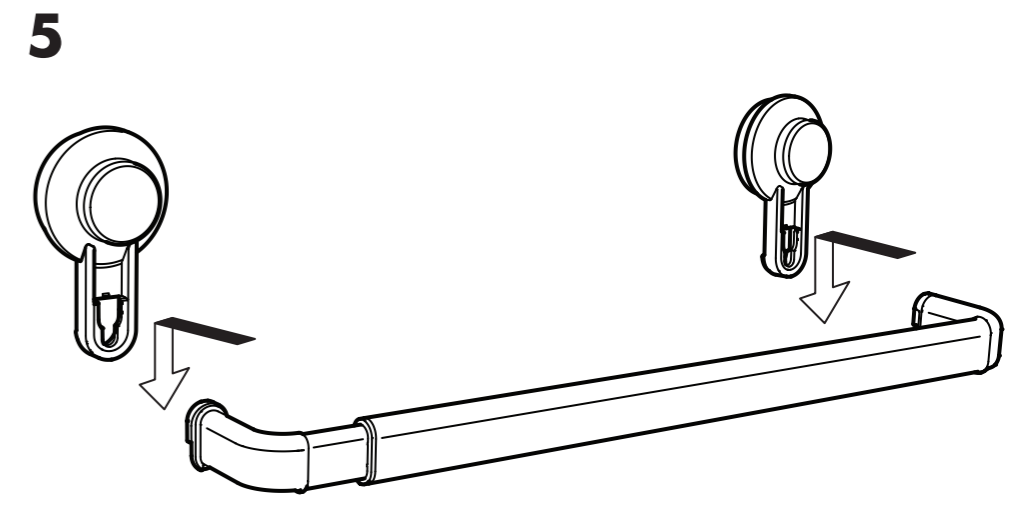
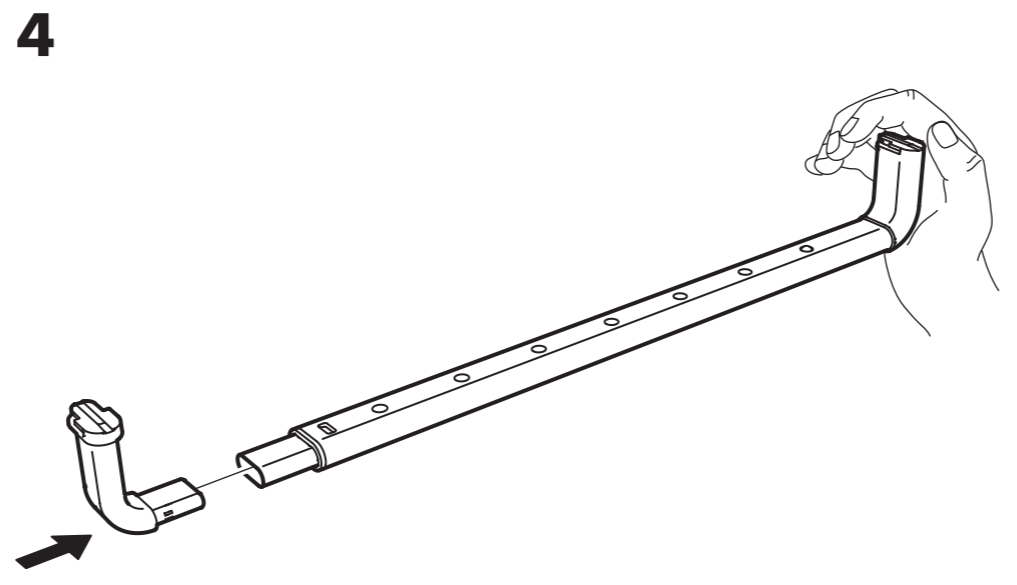
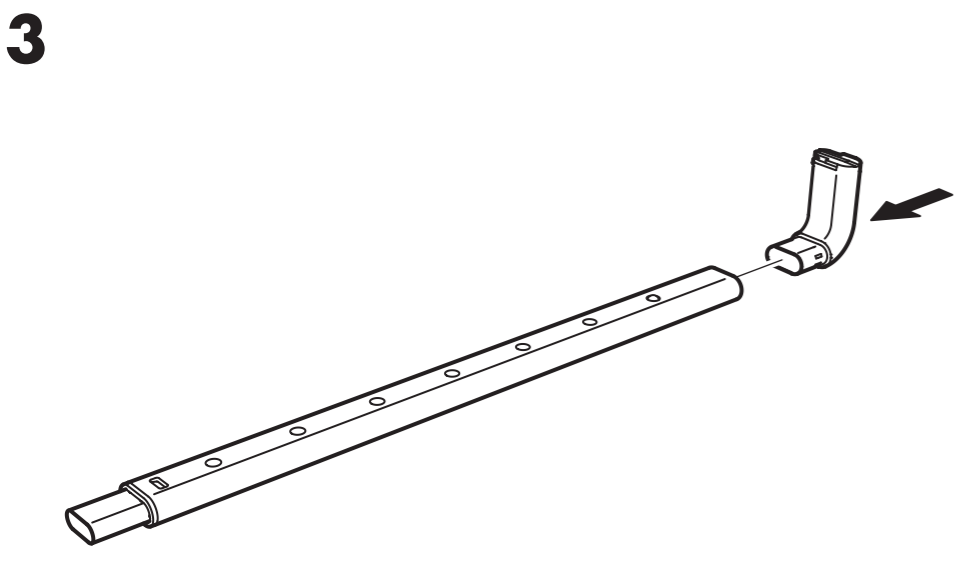


TISKEN



© Inter IKEA Systems B.V. 2018
2018-01-18
AA-2090392-1



7

