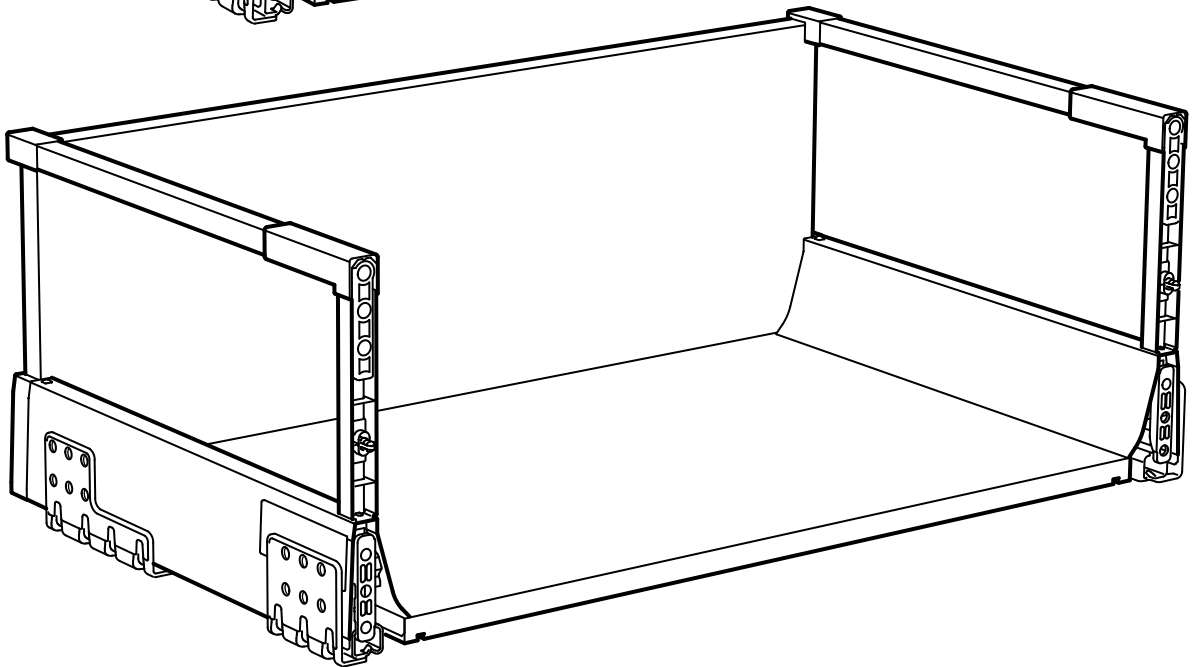
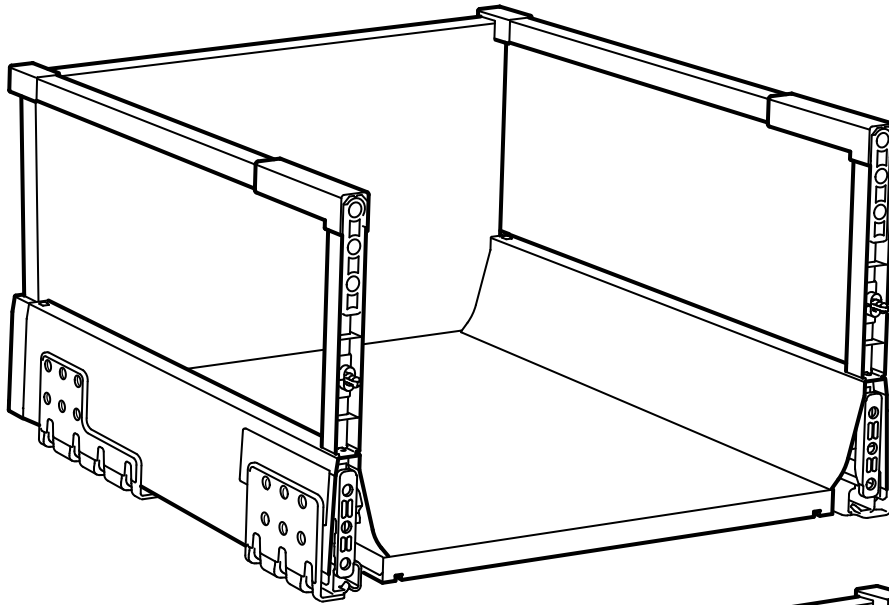
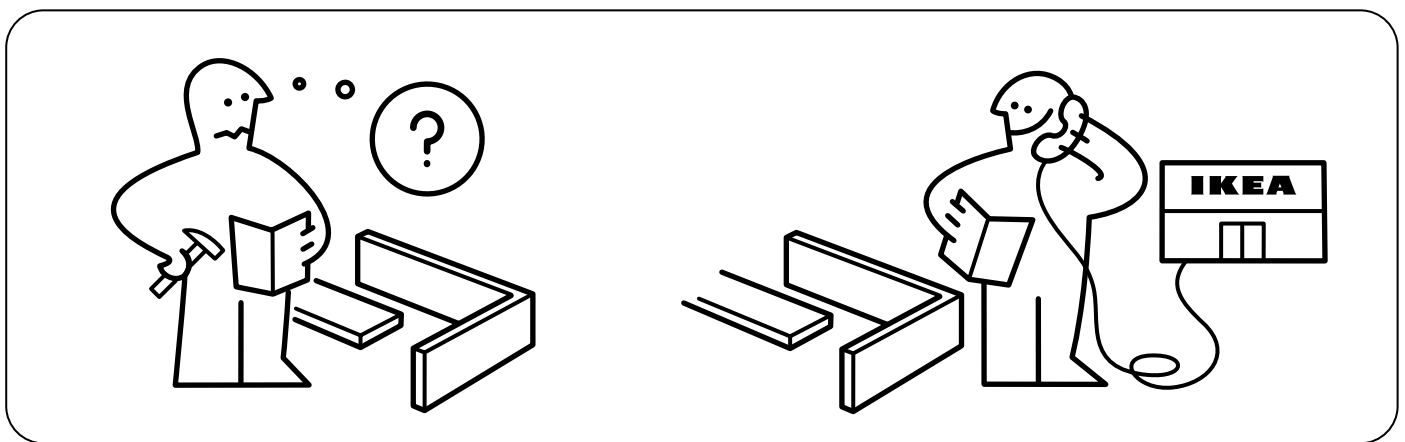
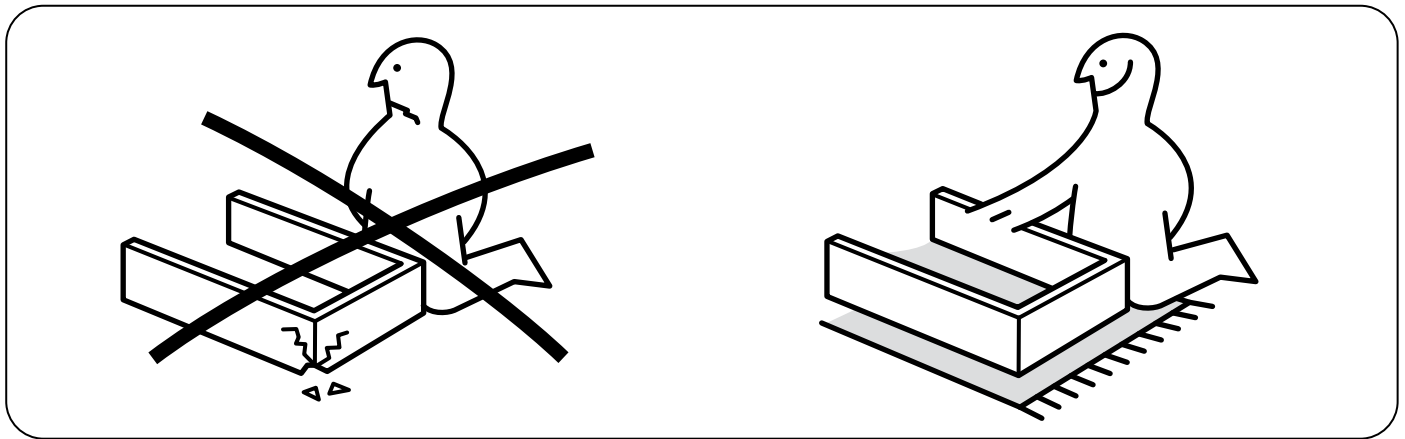
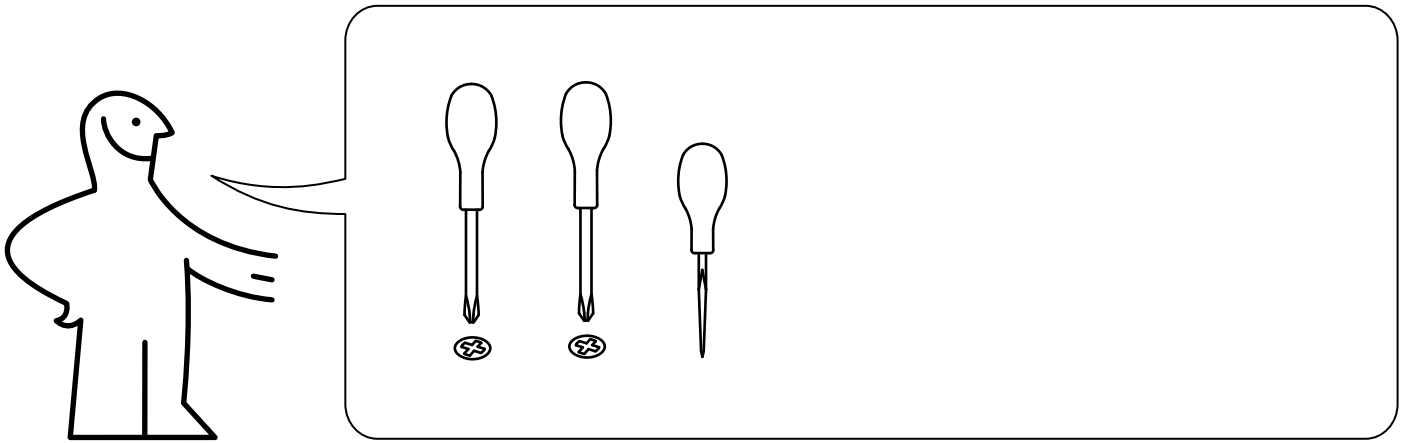


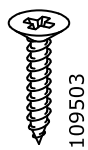
# MAXIMERA



Design and Quality  
IKEA of Sweden



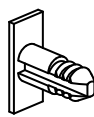
14x



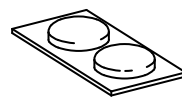
2x



2x



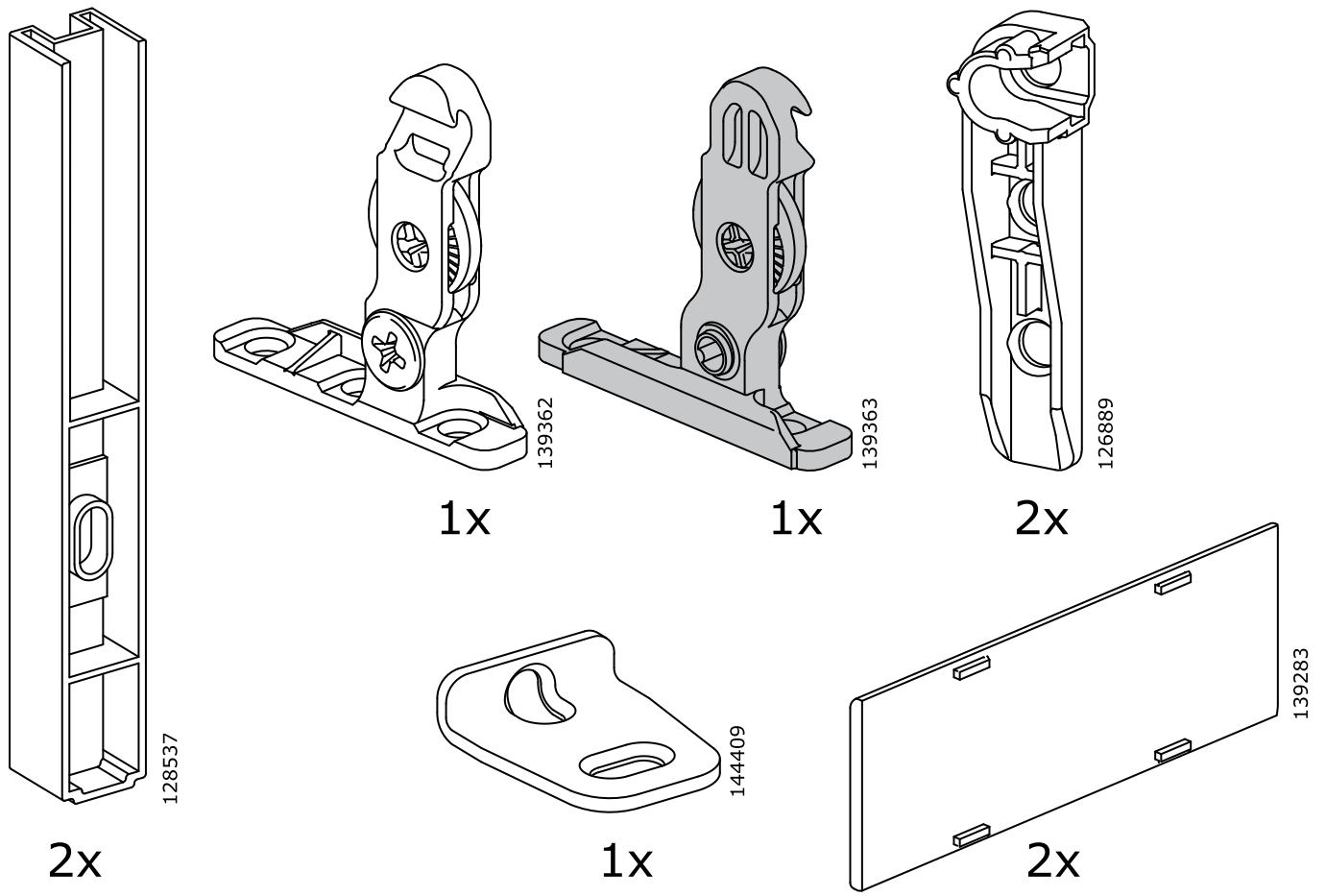
2x



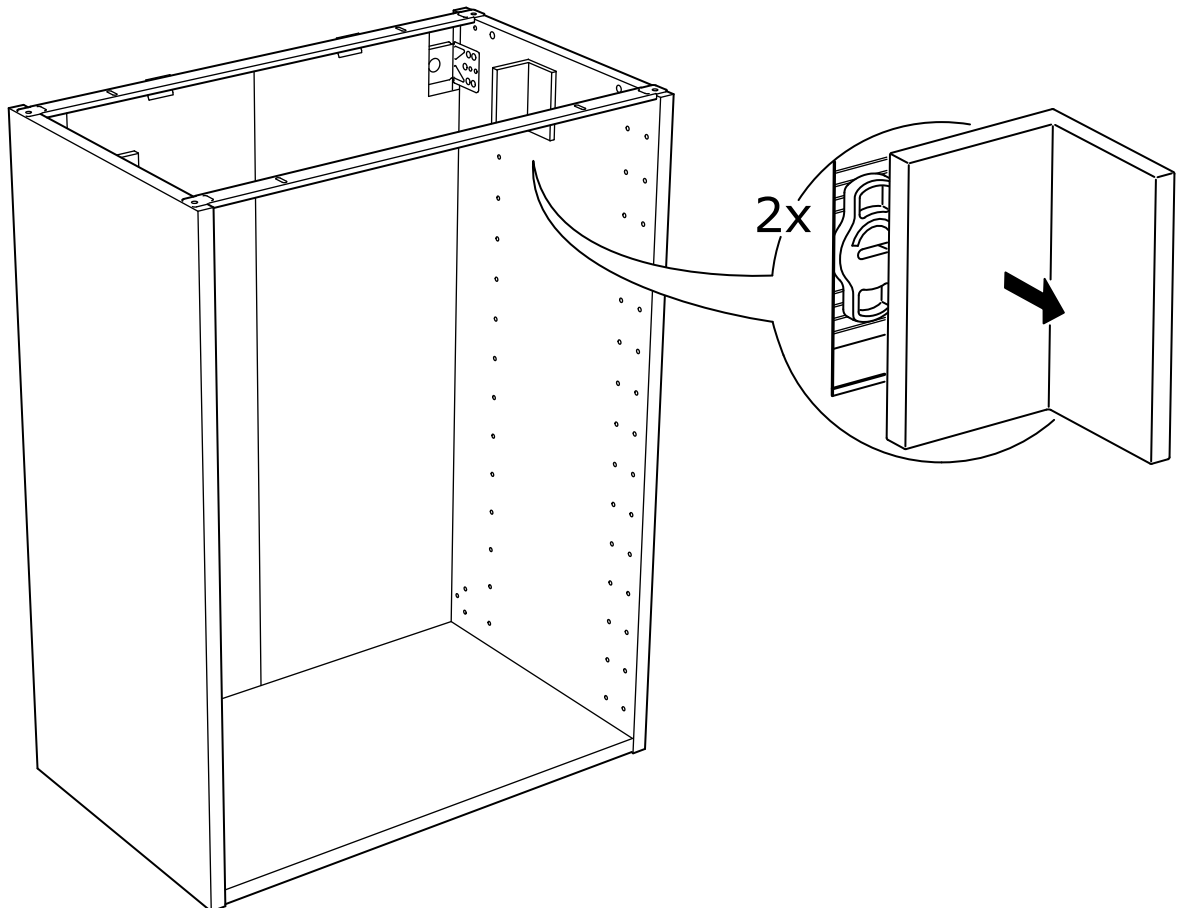
2x



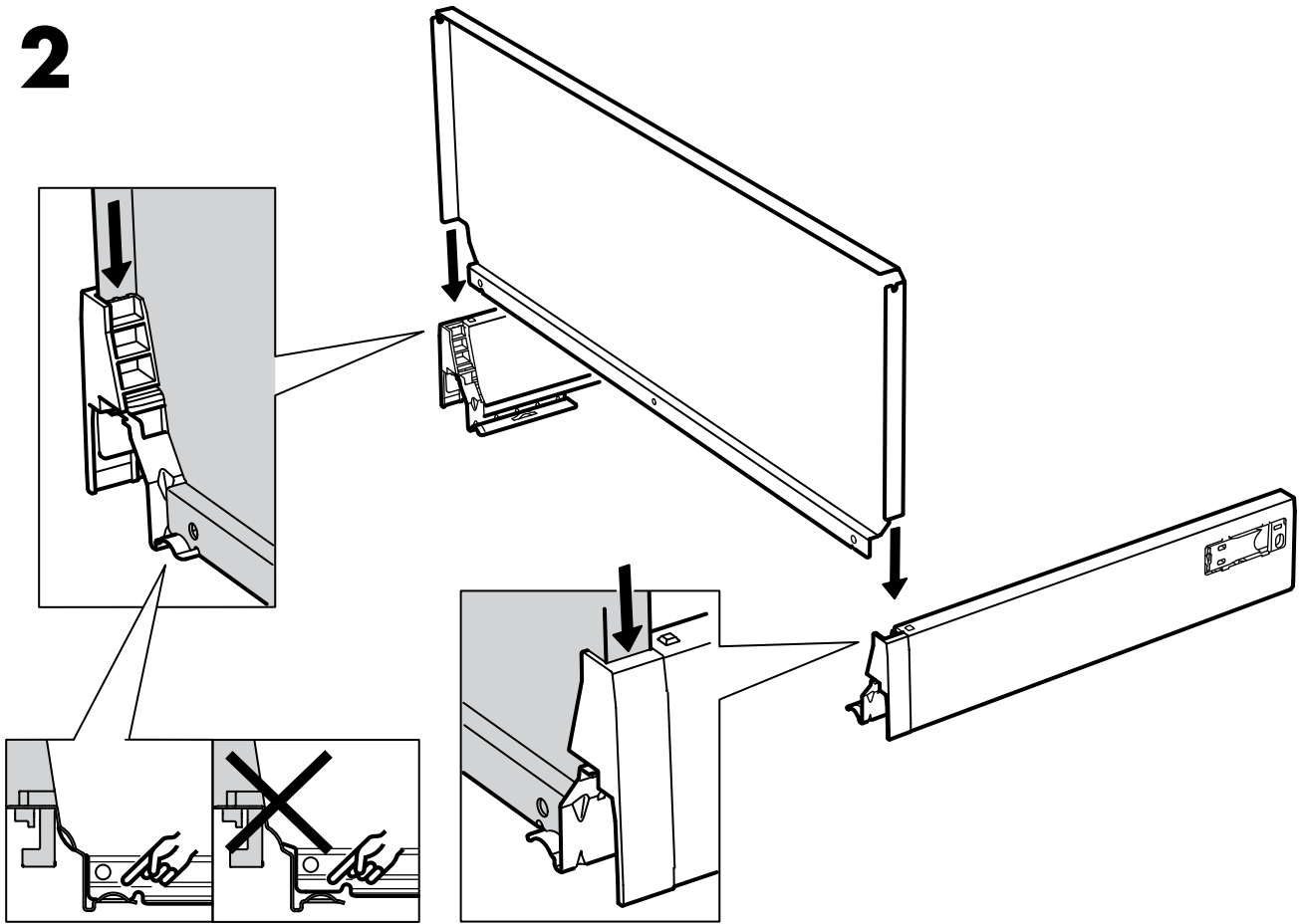
1x



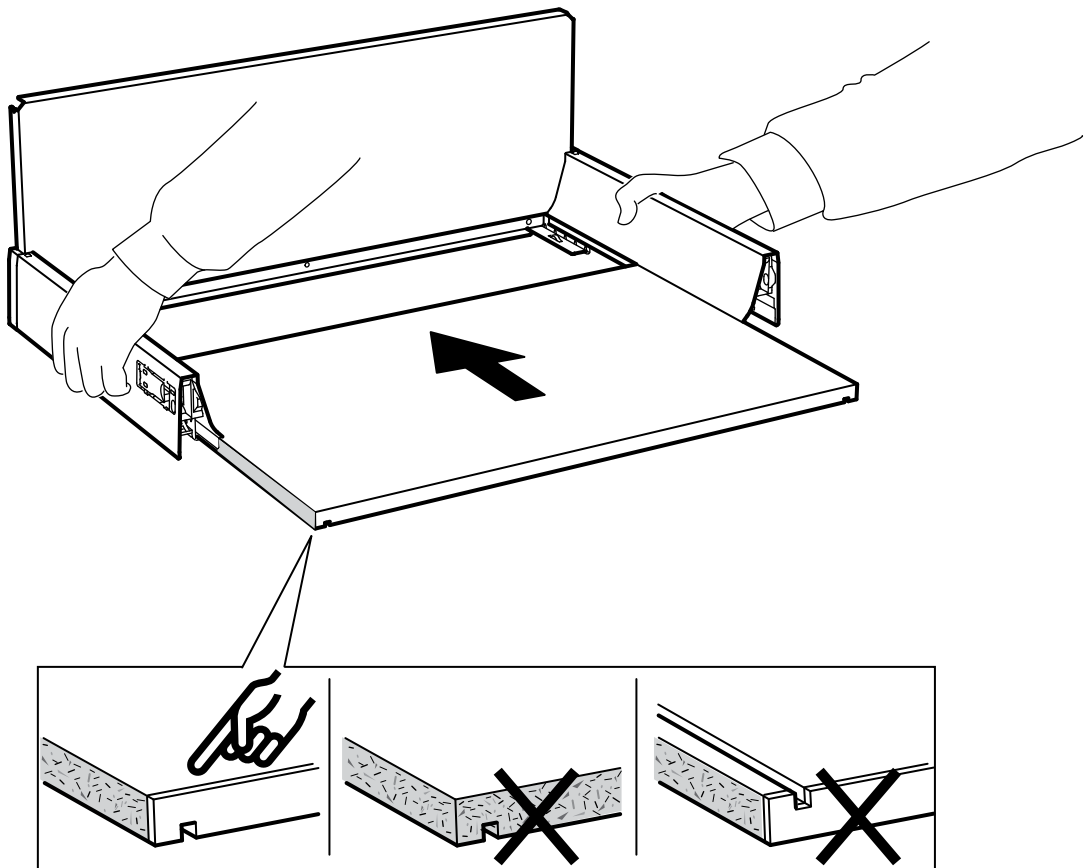
**1**

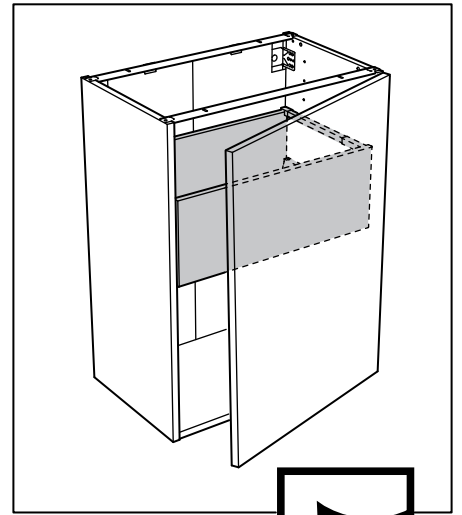
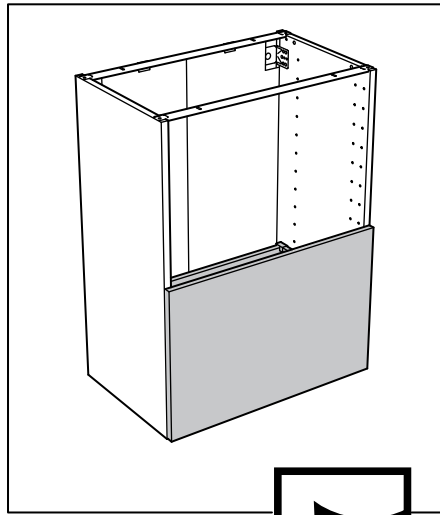
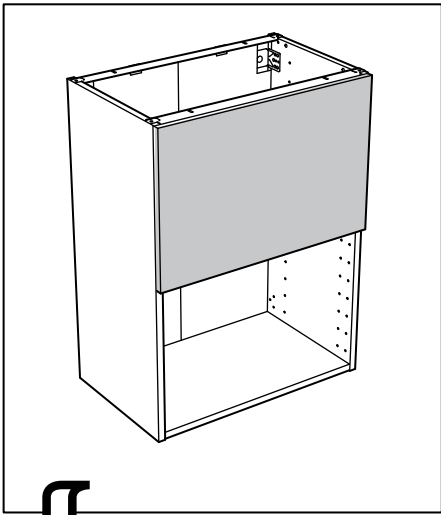


**2**

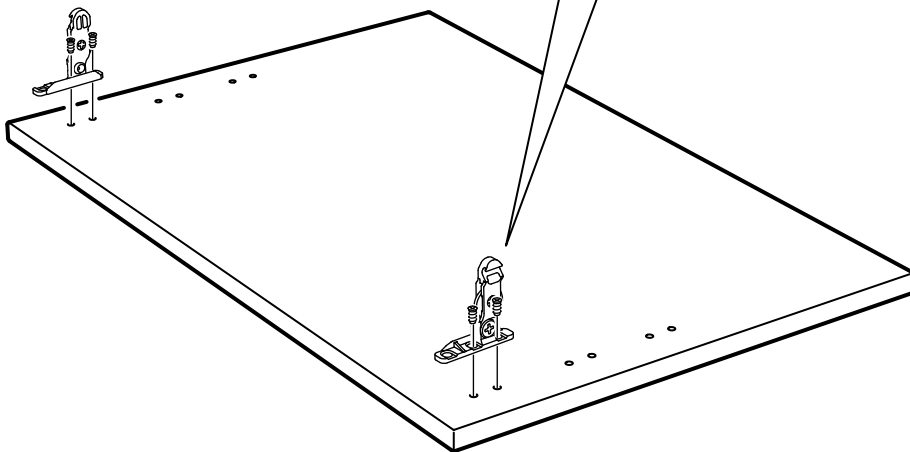
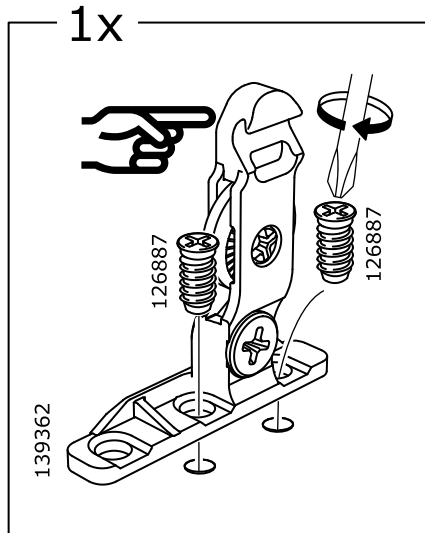
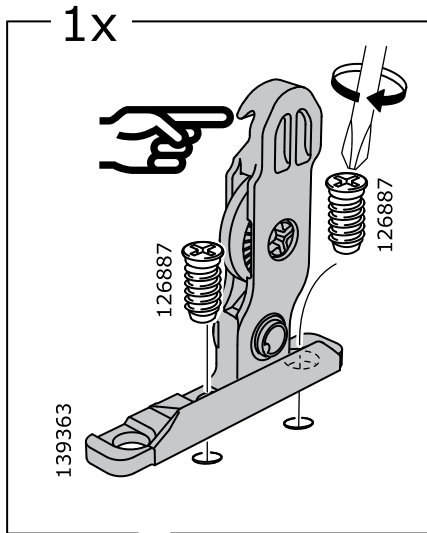


**3**

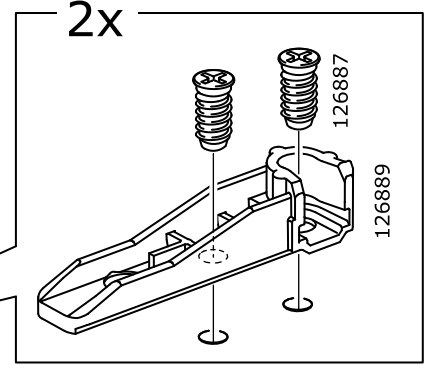
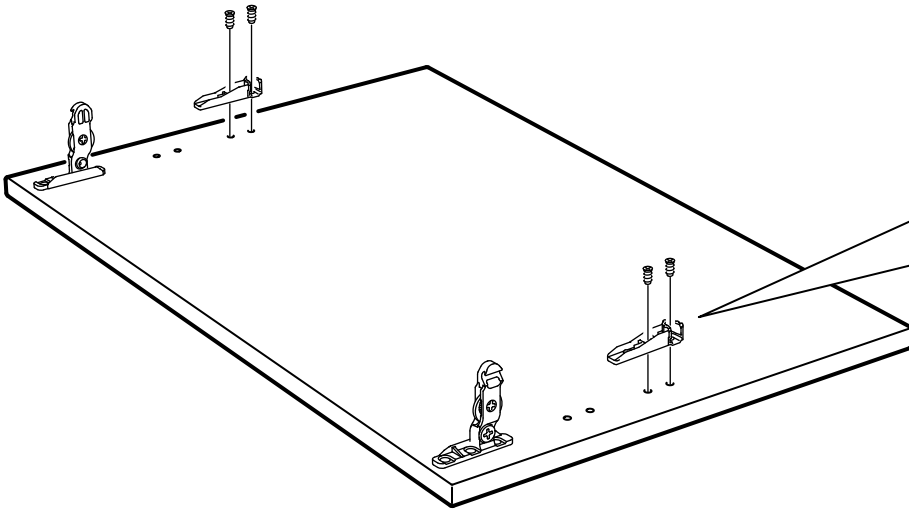




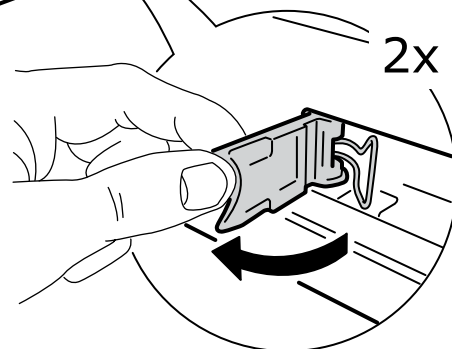
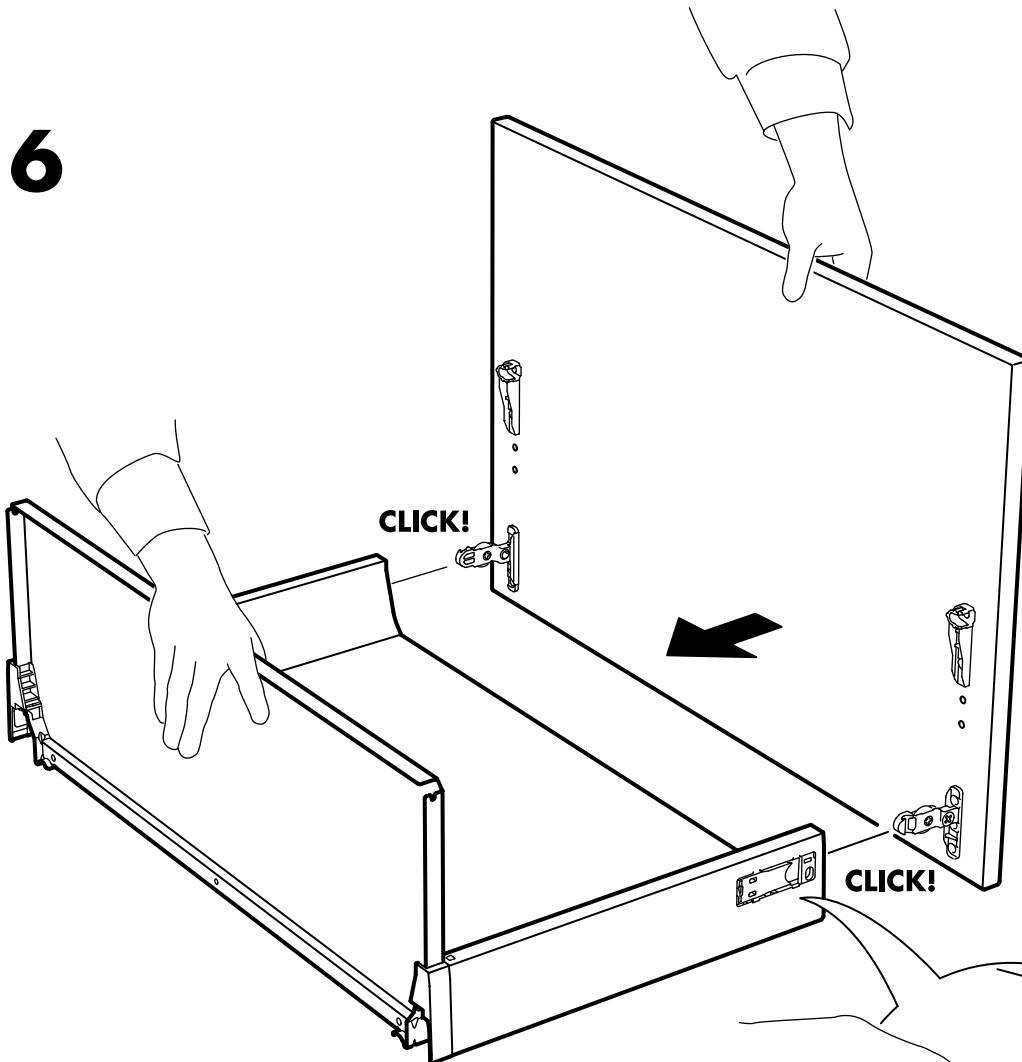
**4**



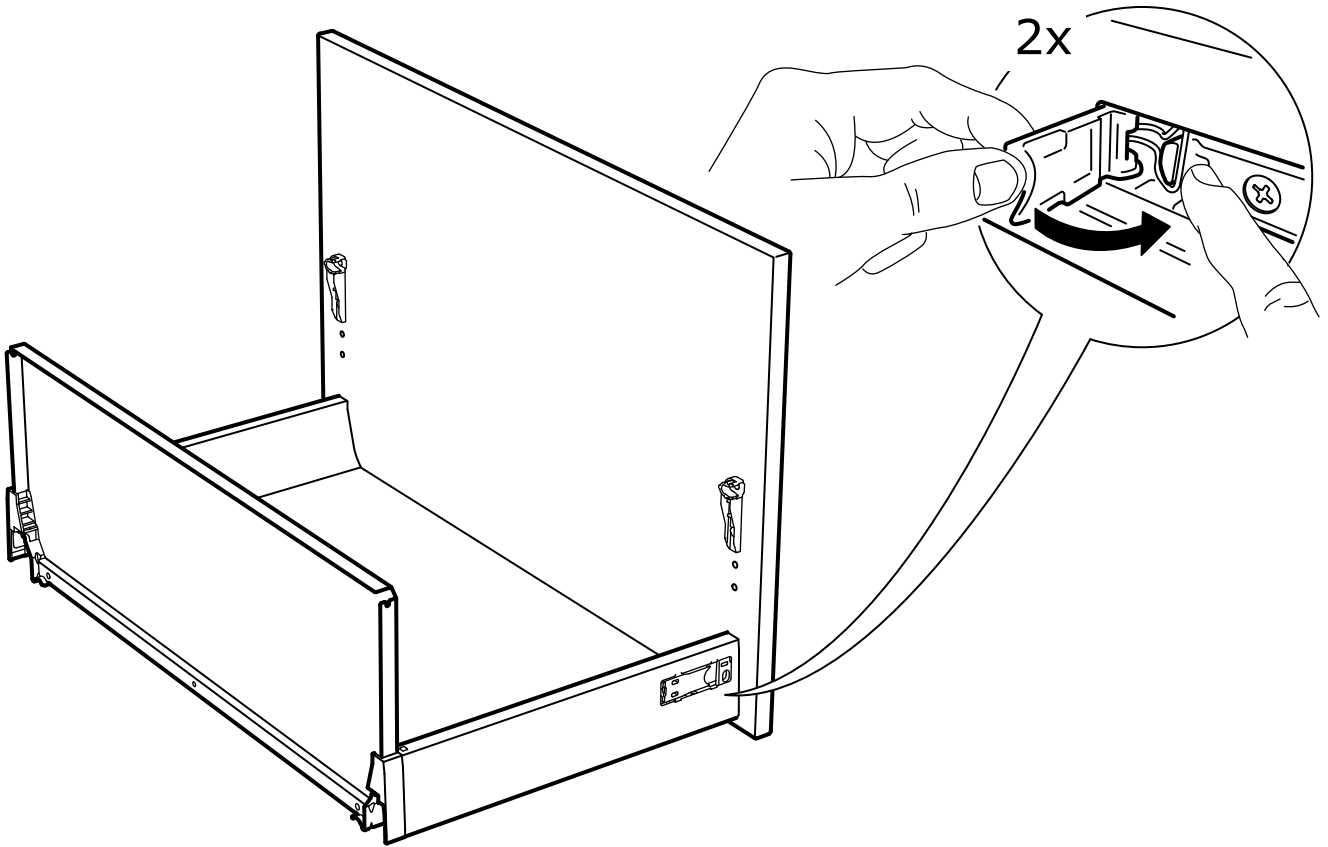
5



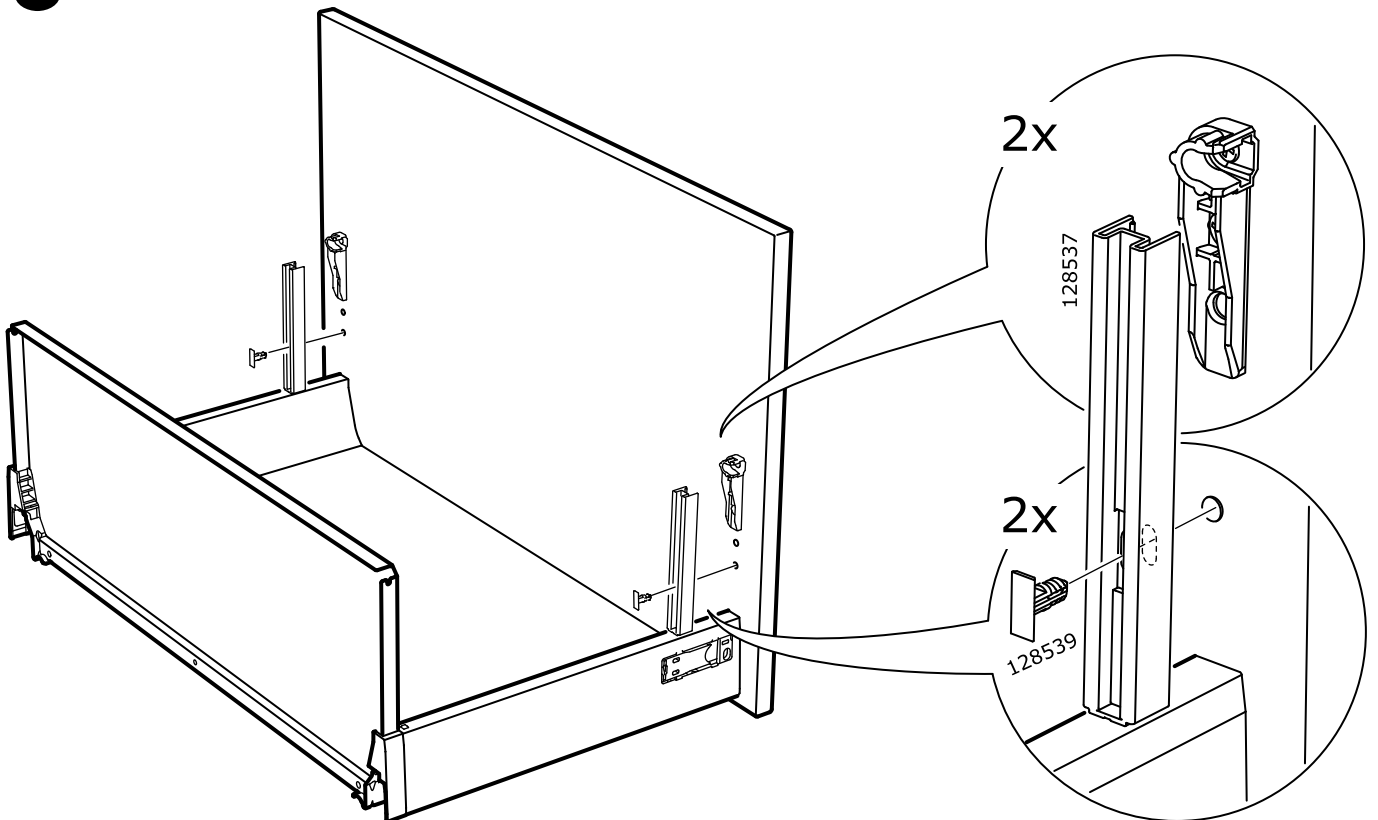
6



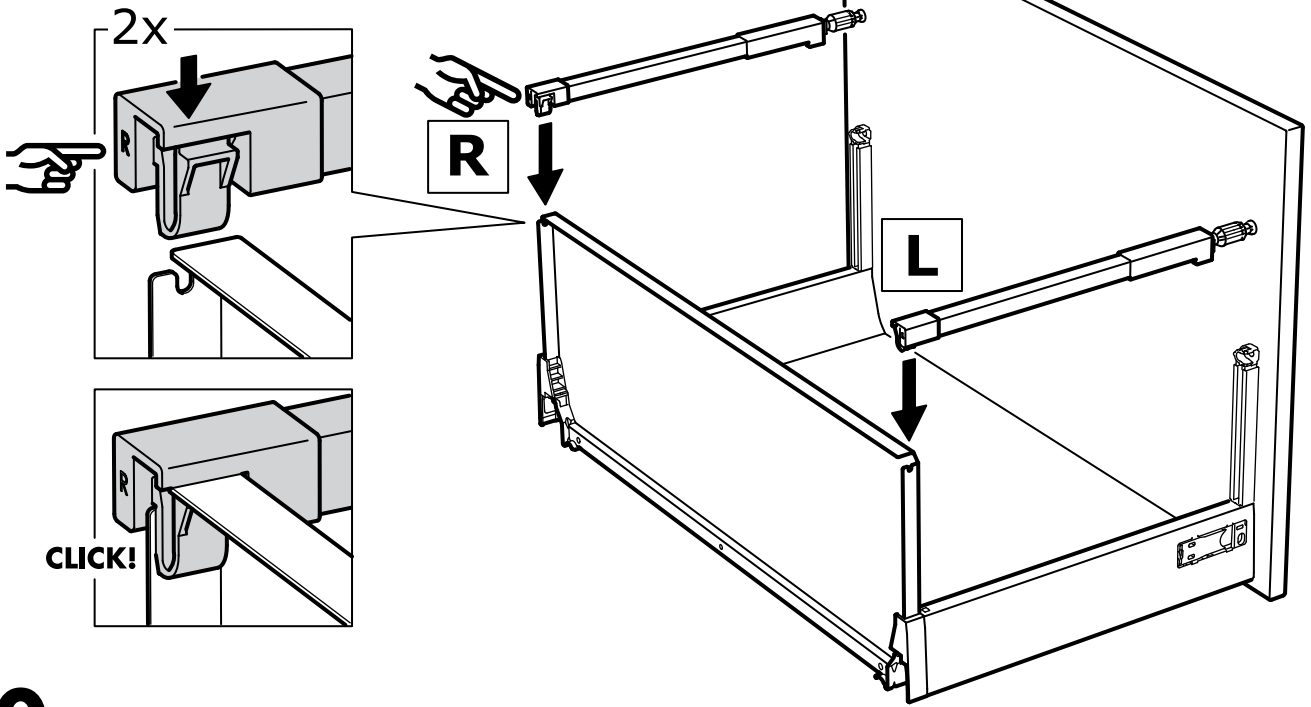
7



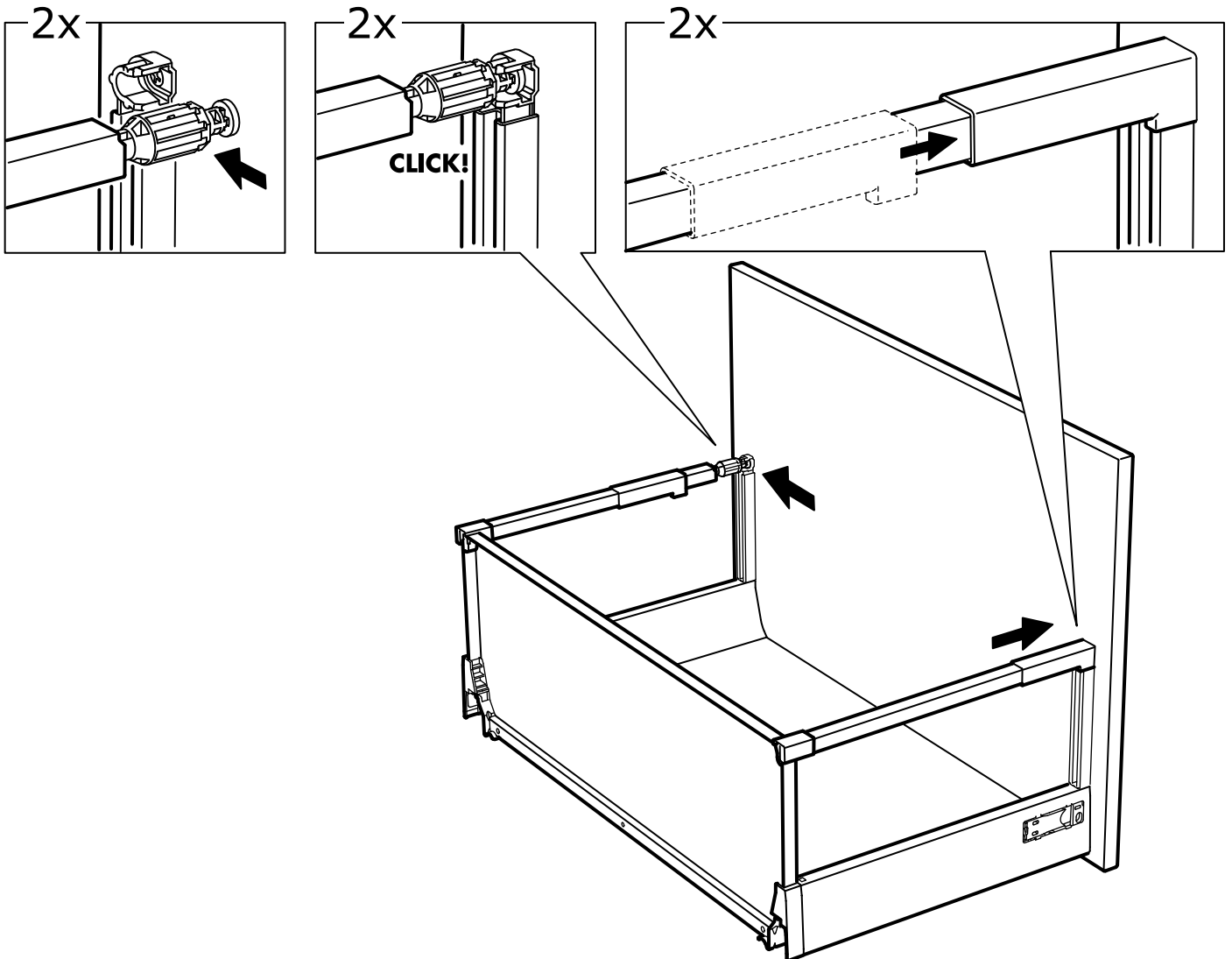
8



9

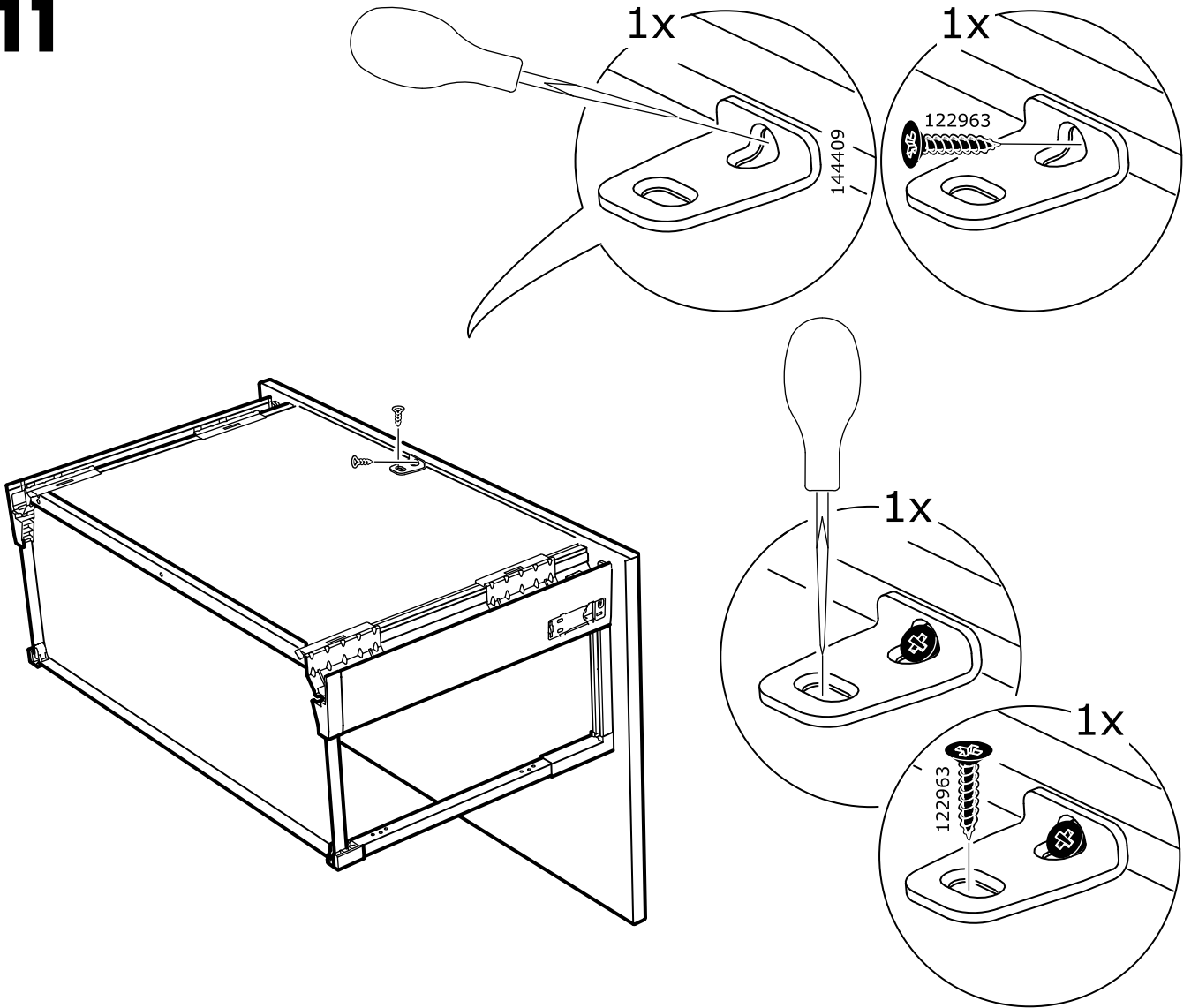


10

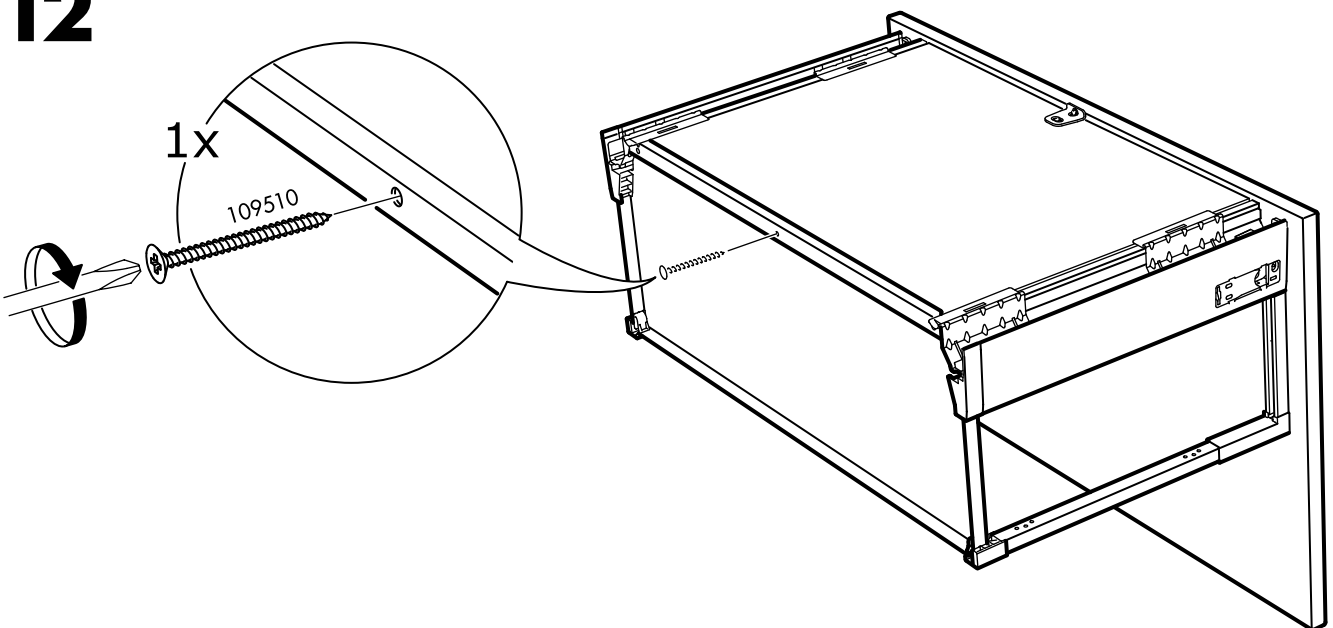




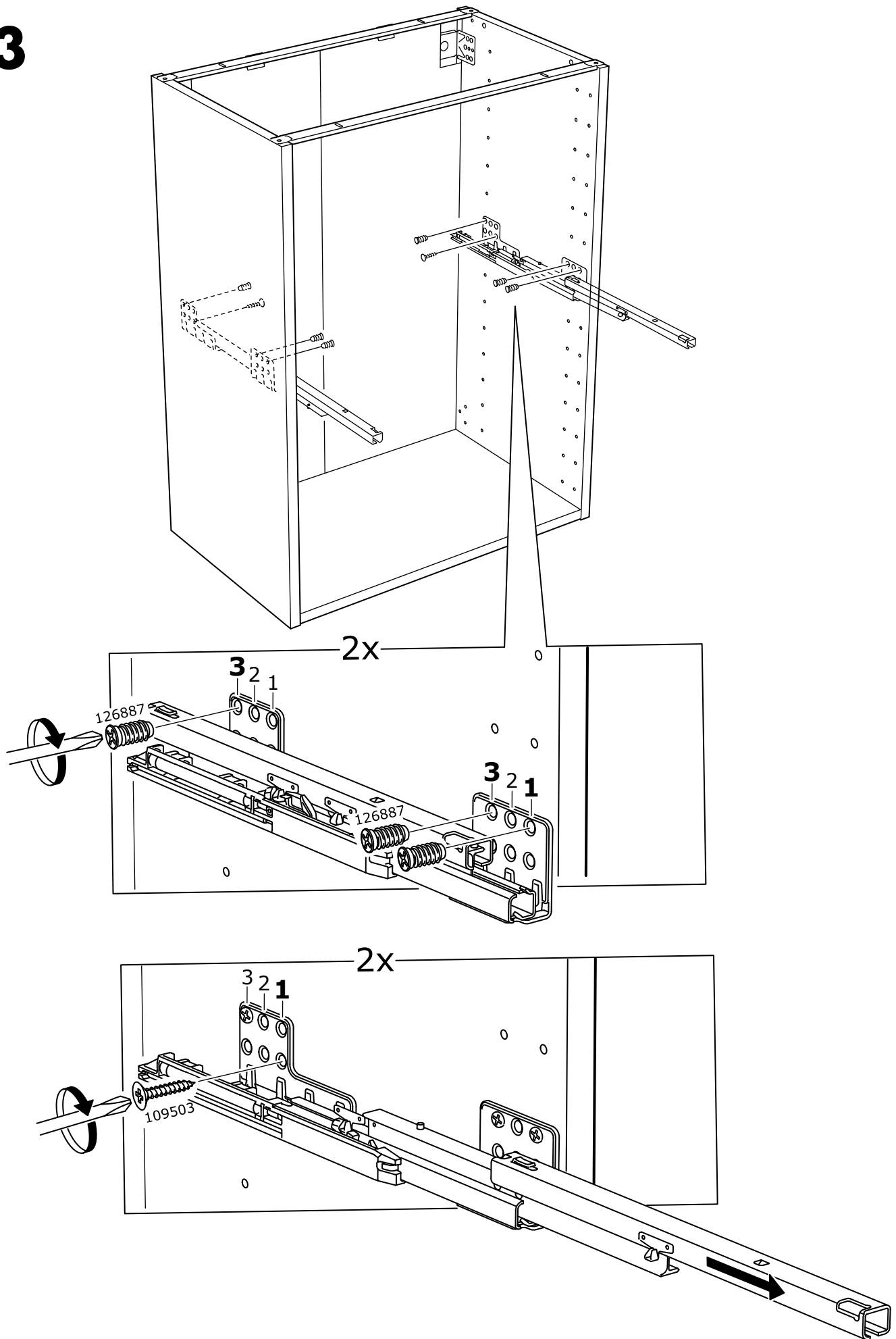
# 11



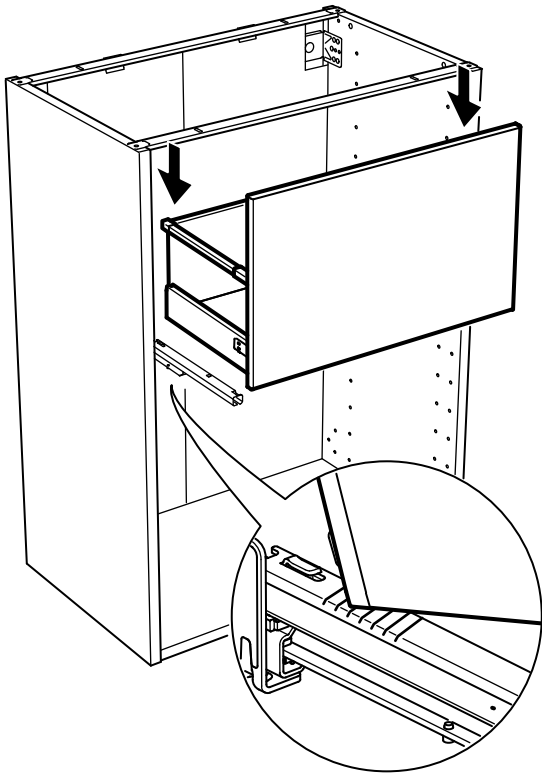
# 12



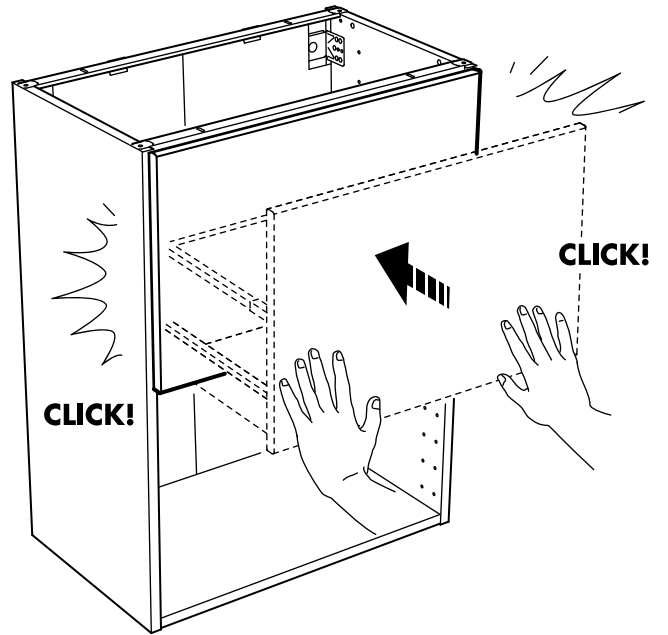
# 13



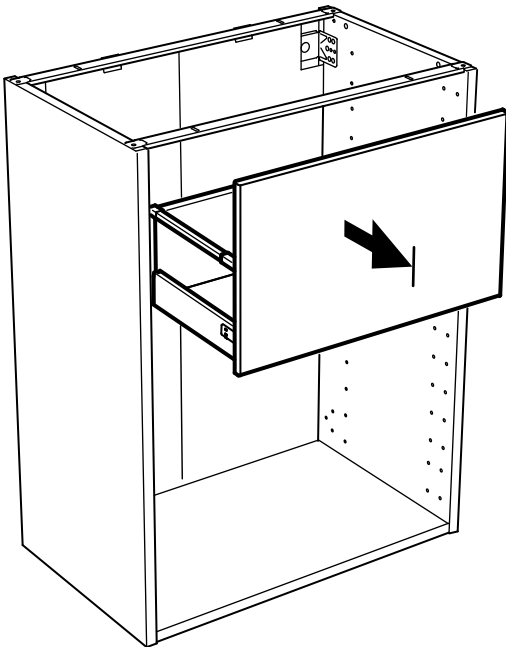
14



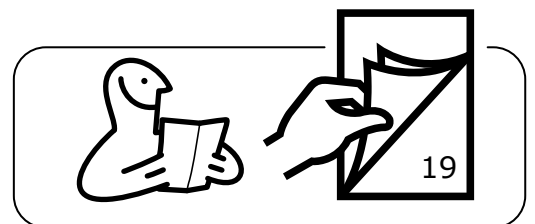
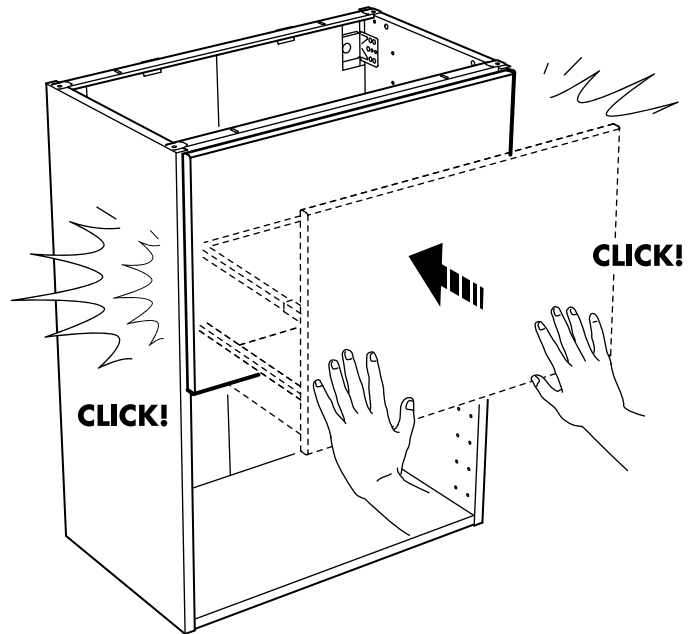
15

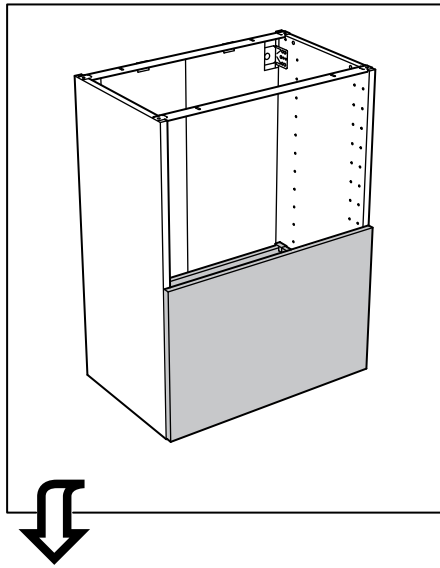


16

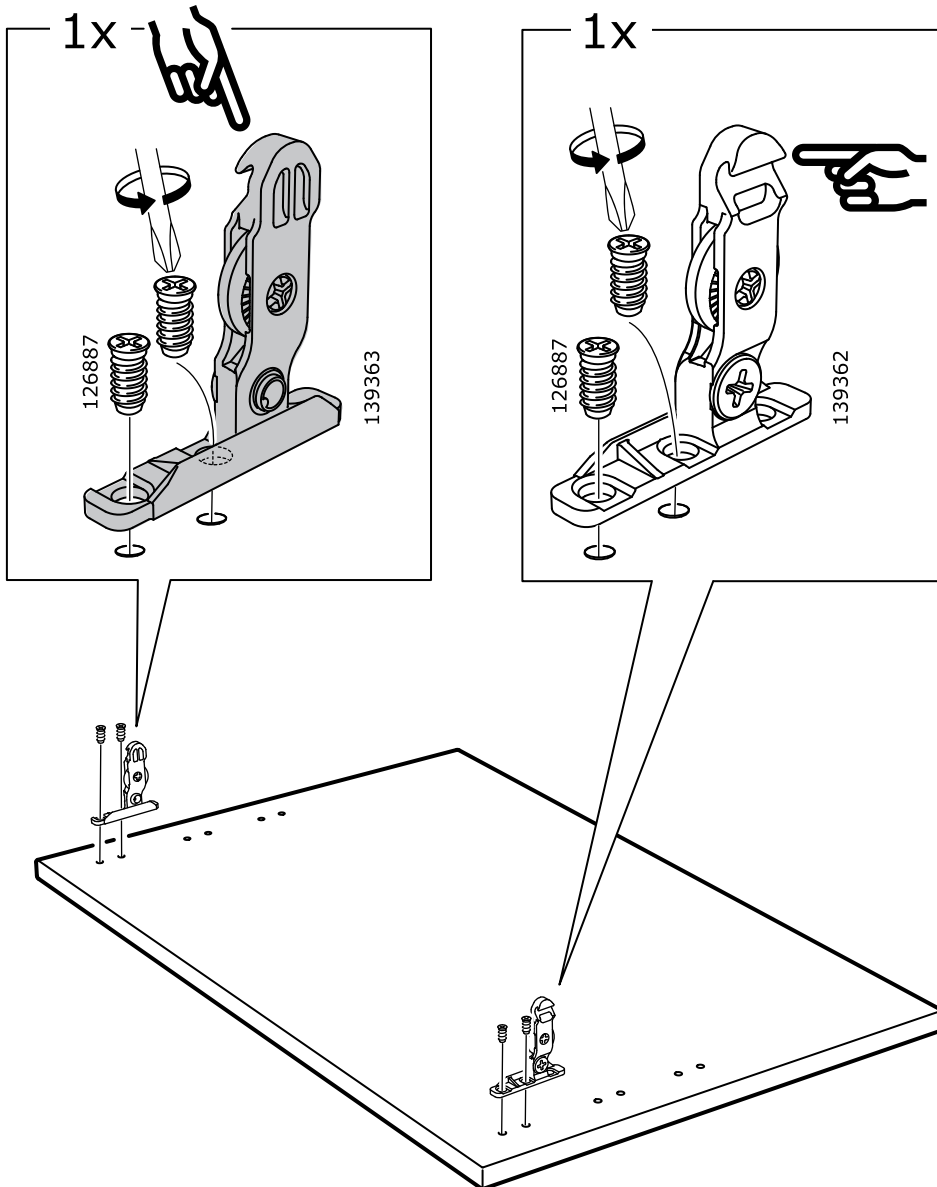


17

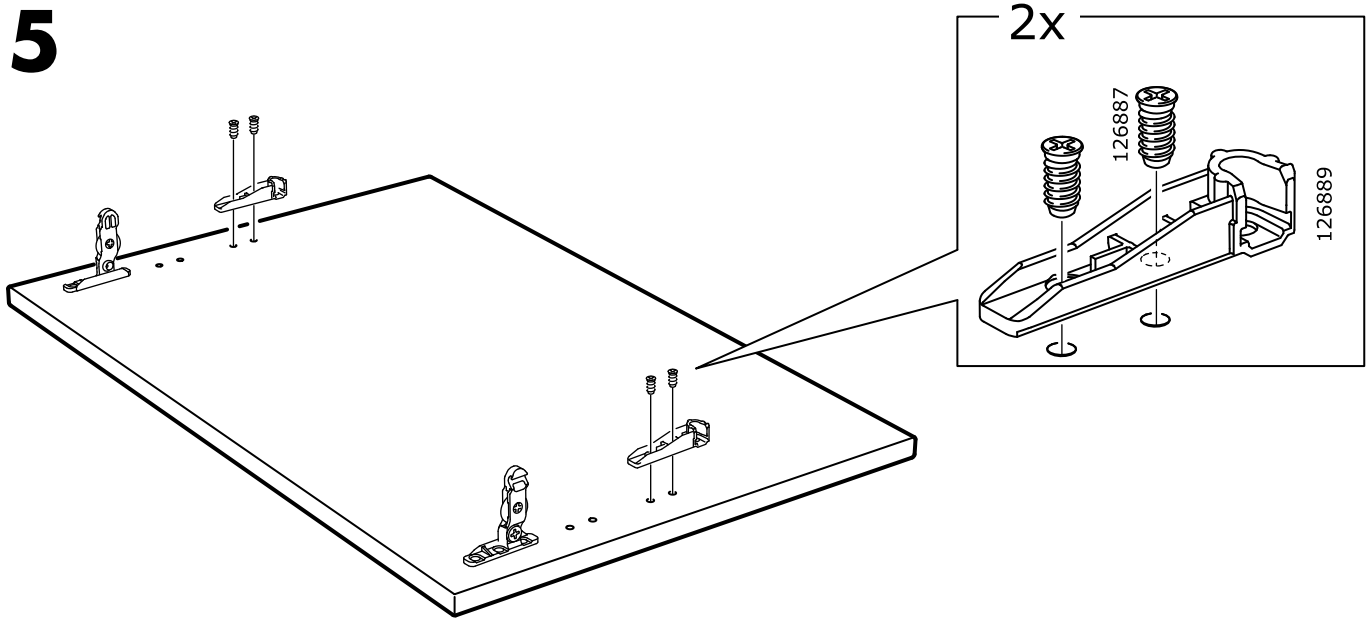




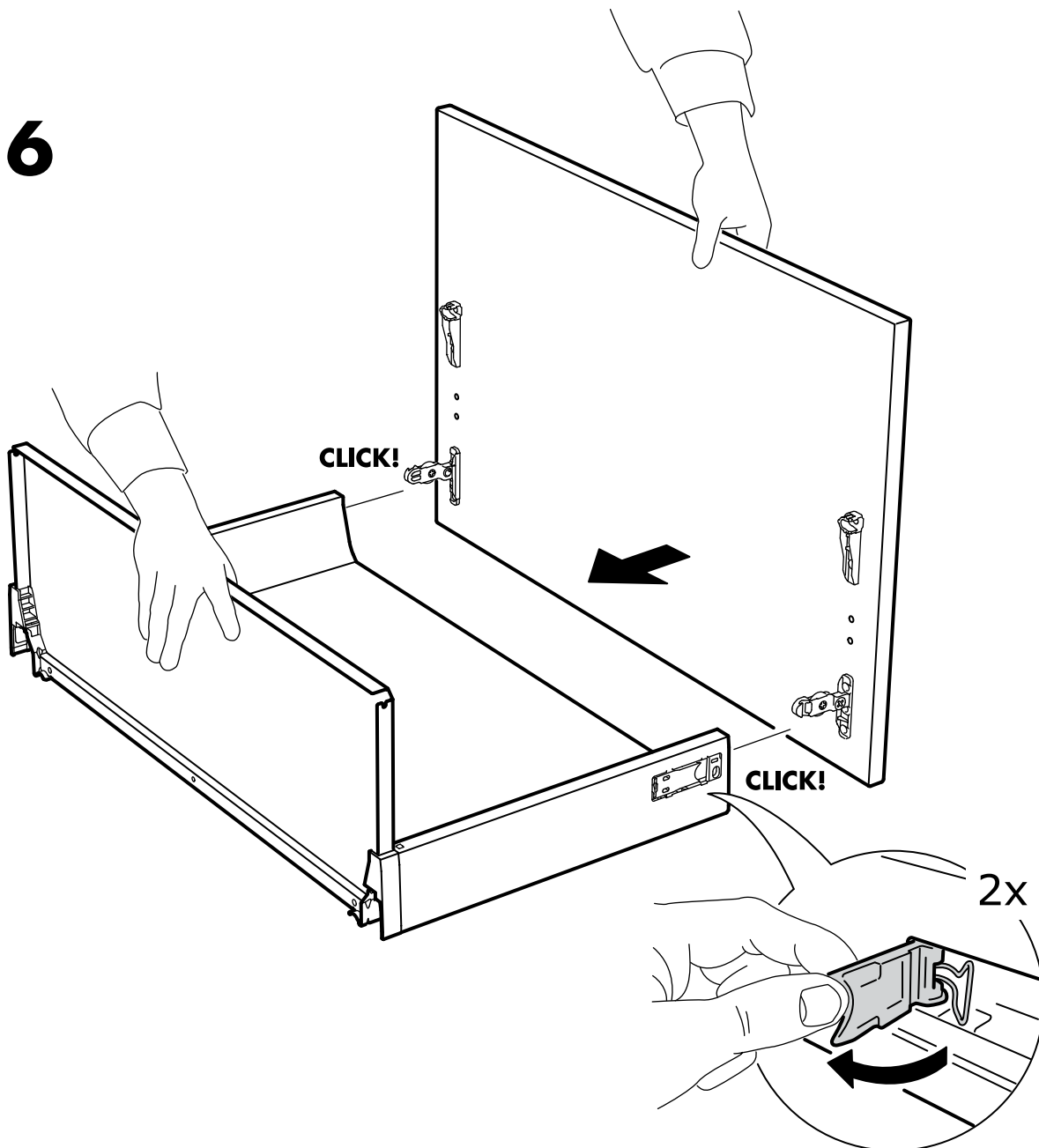
4



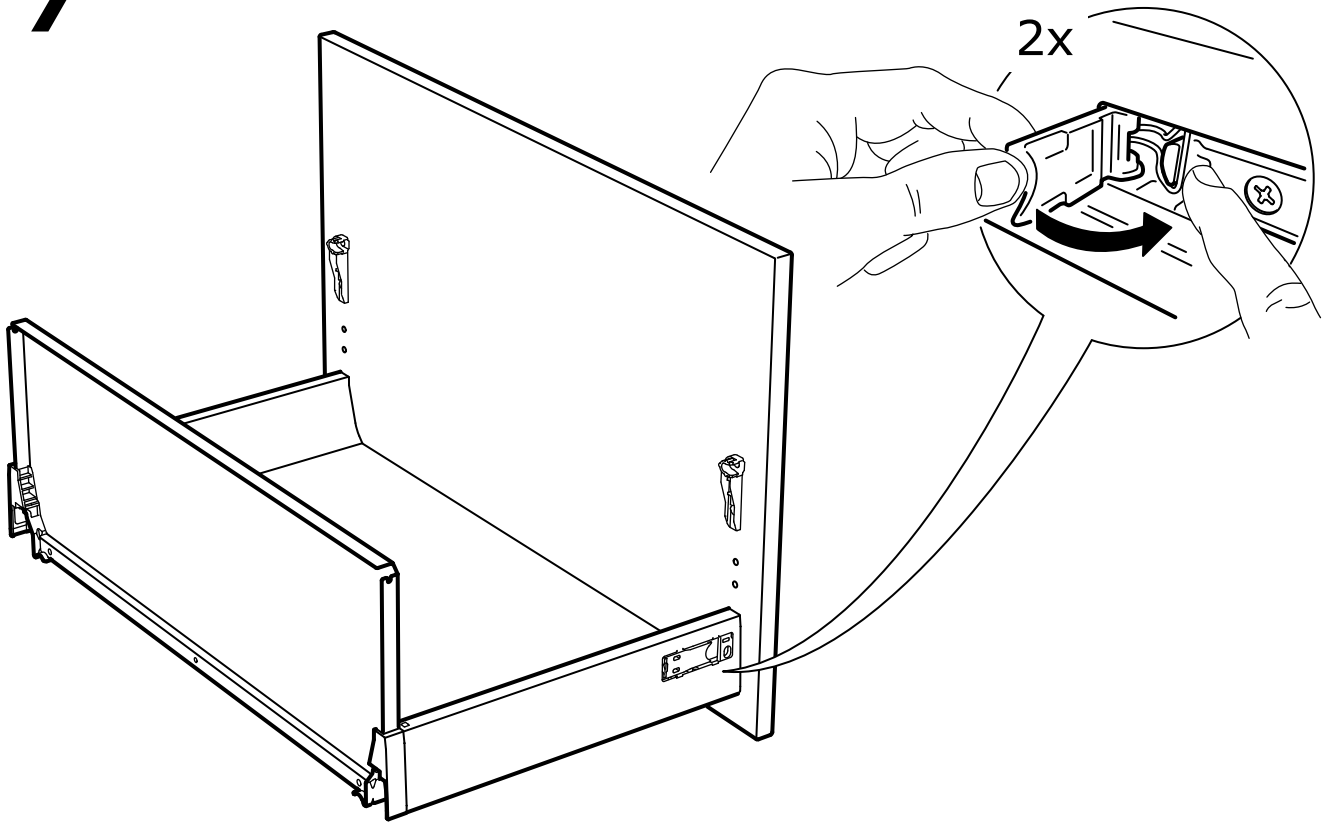
**5**



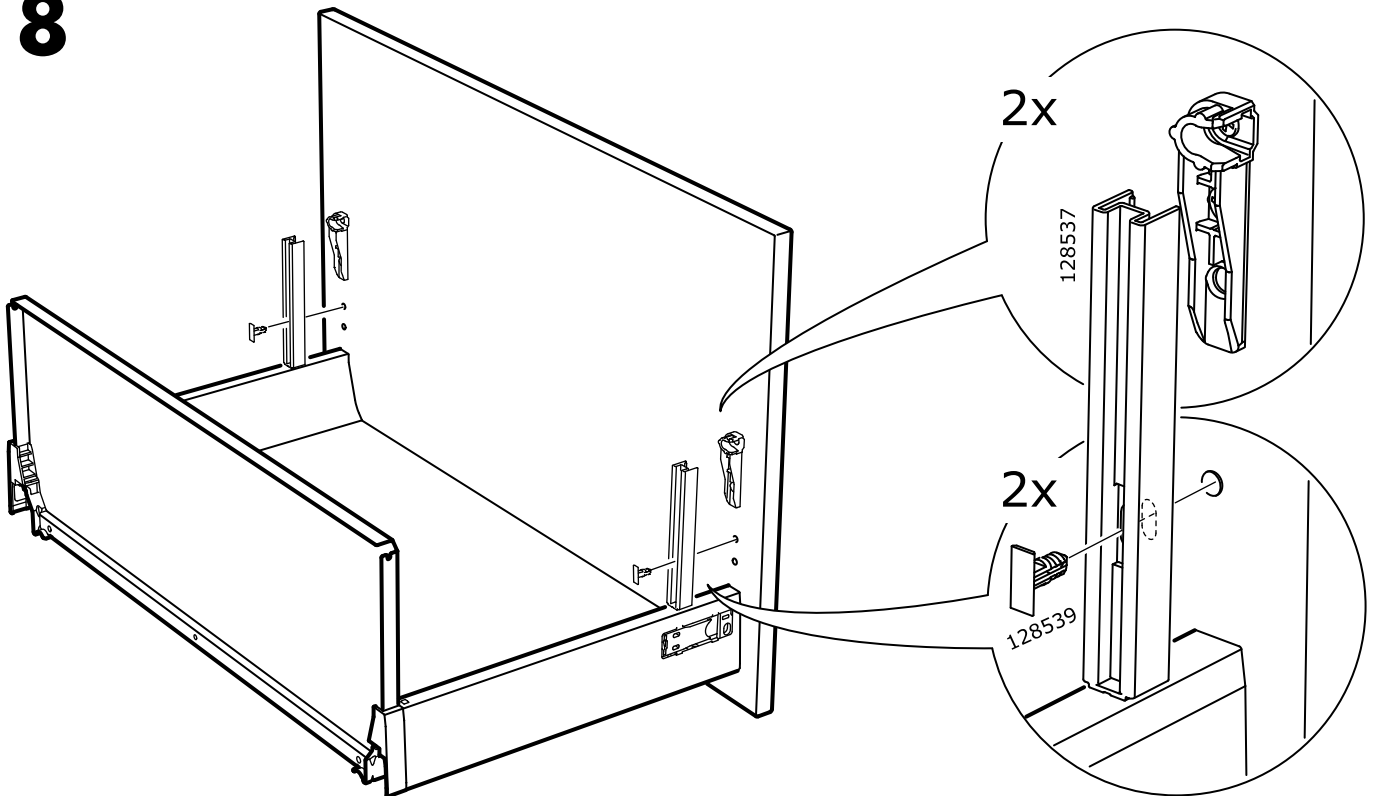
**6**



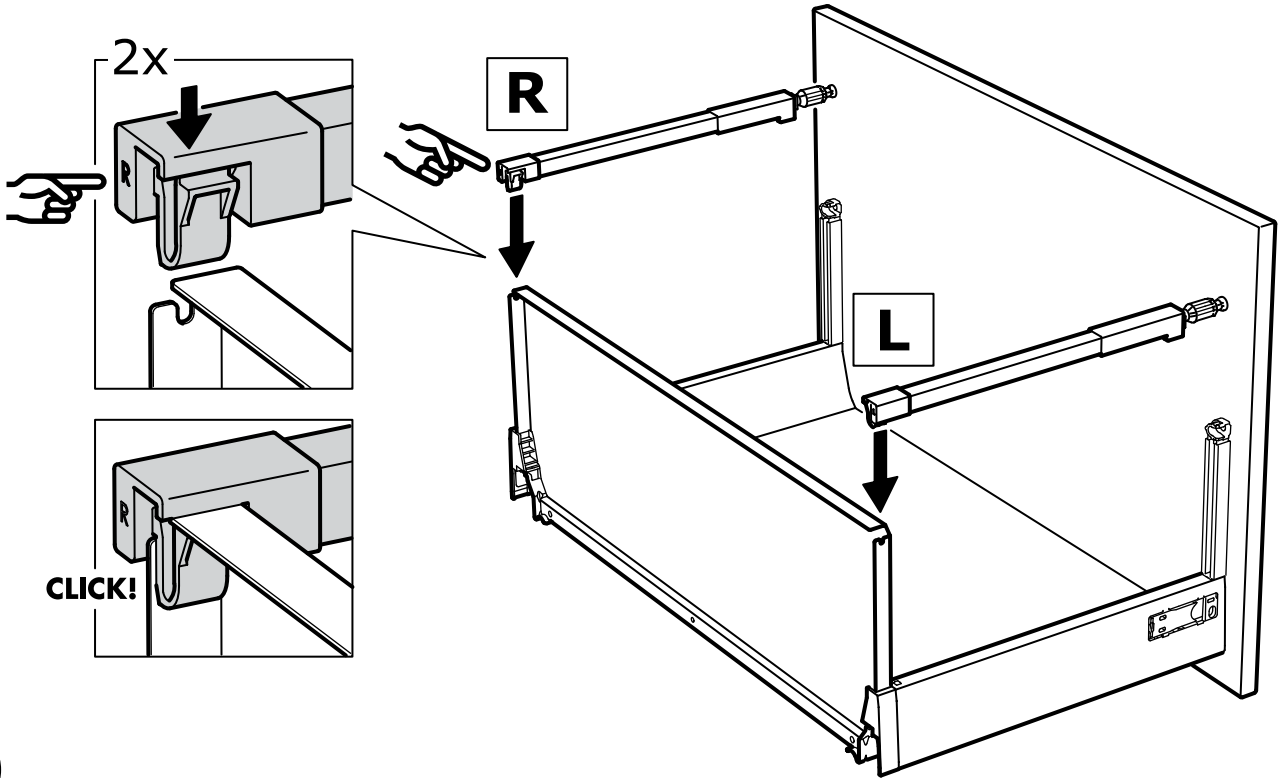
7



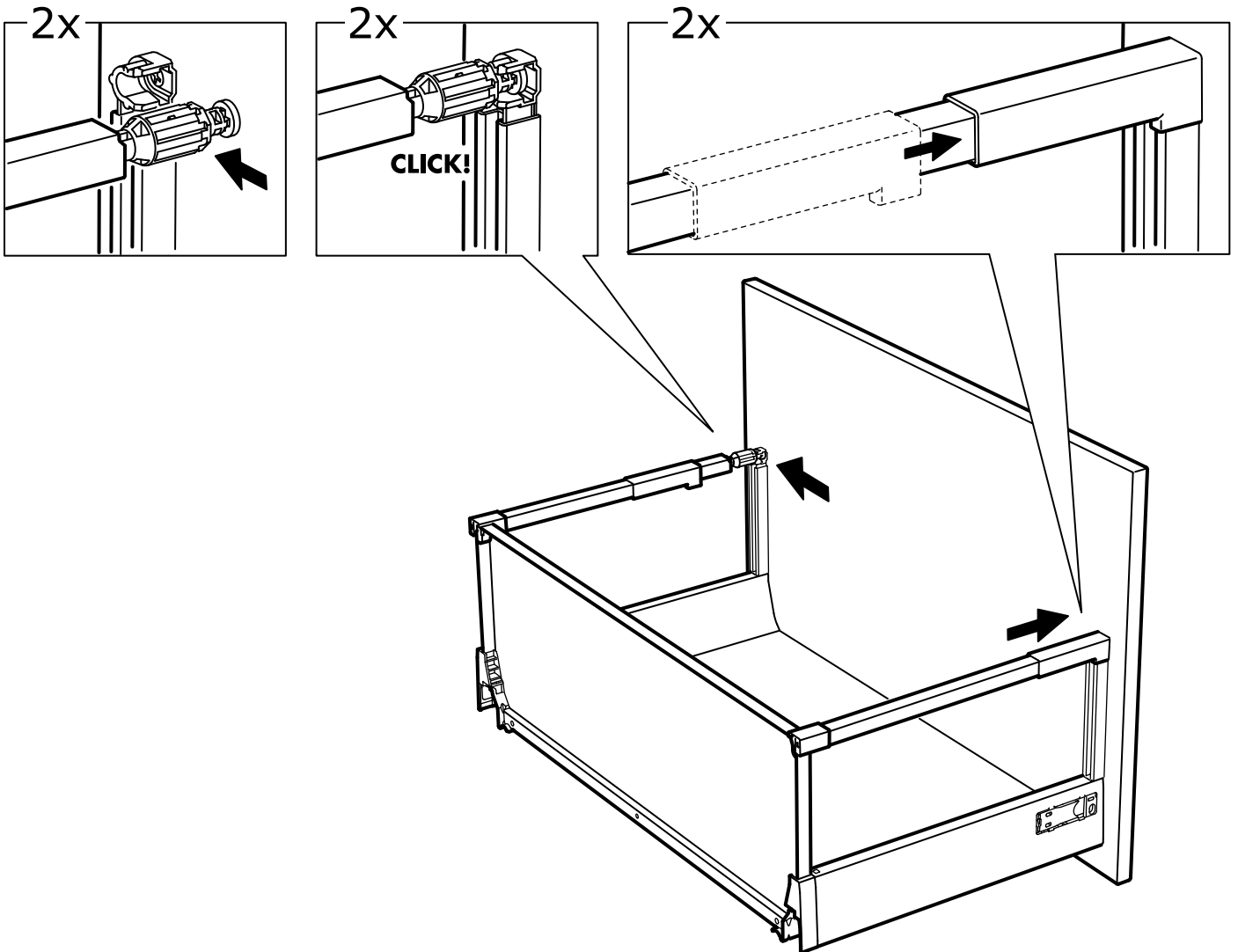
8



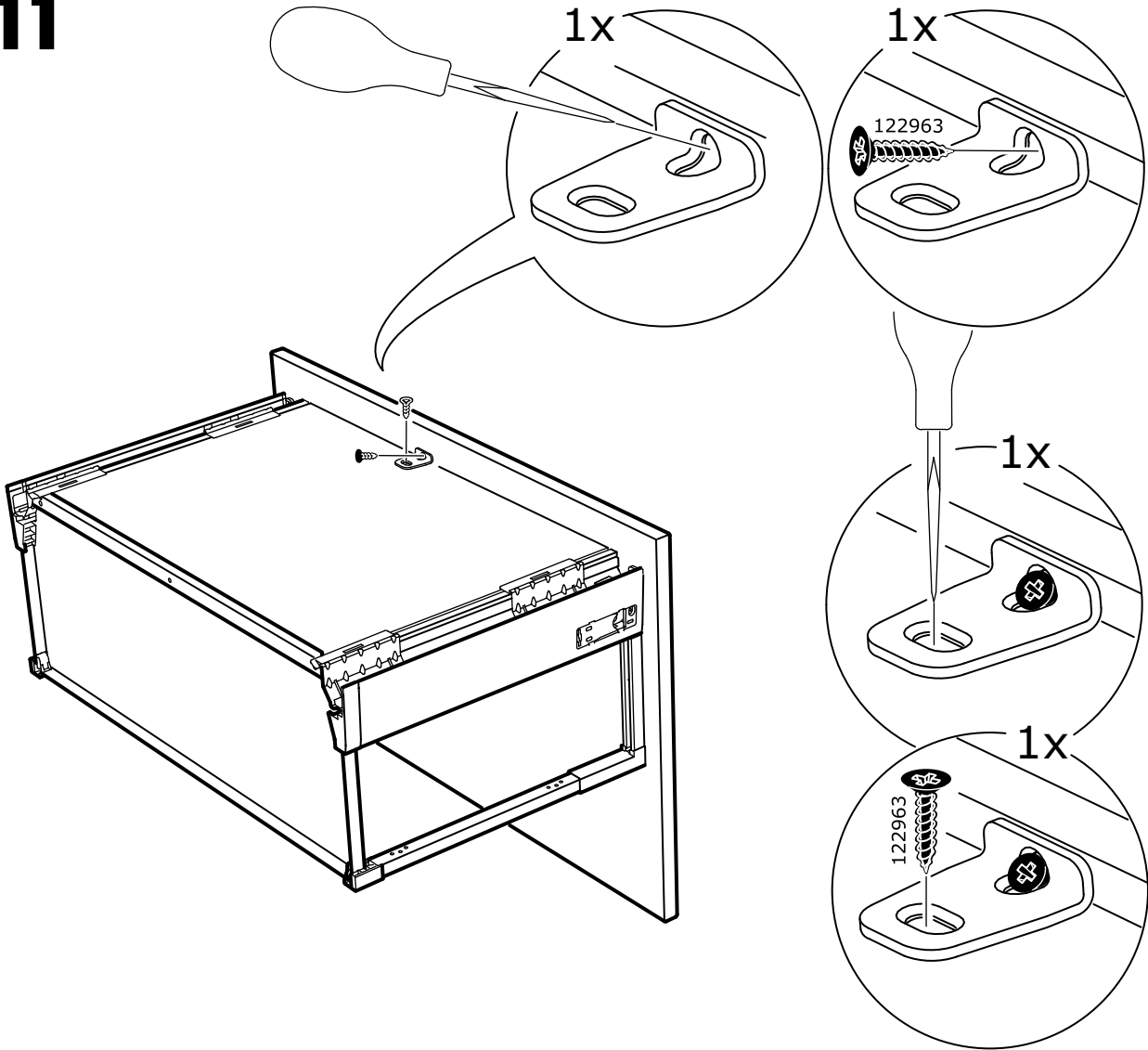
9



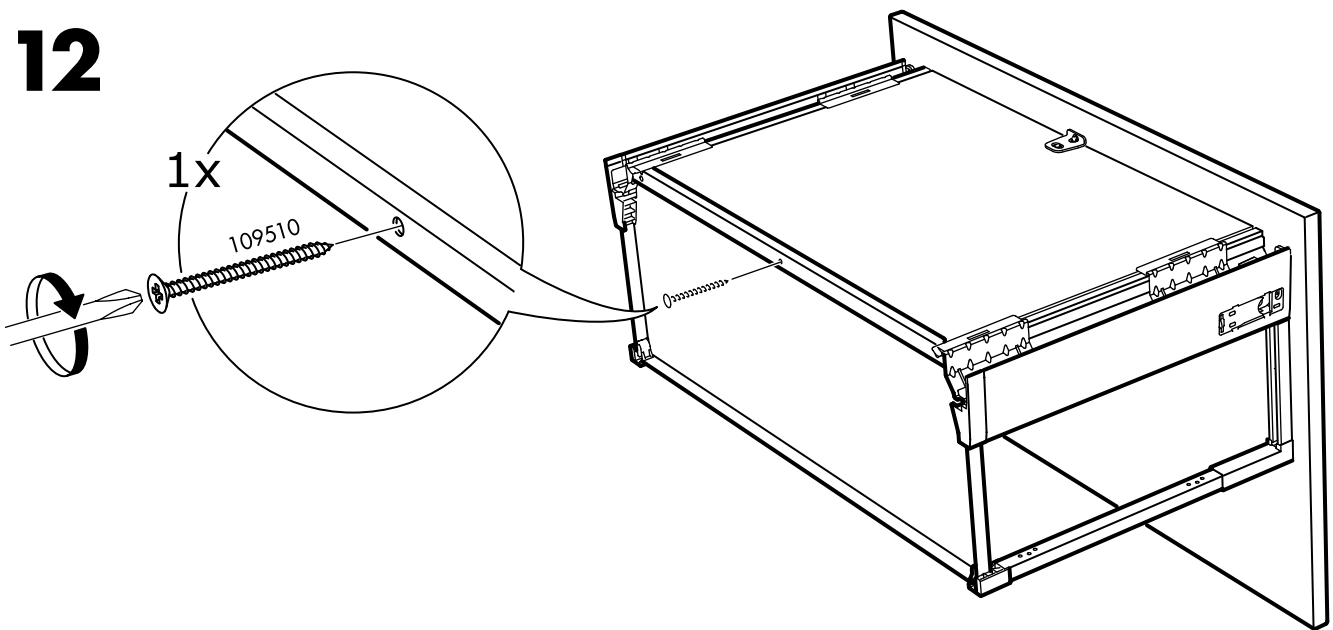
10



# 11

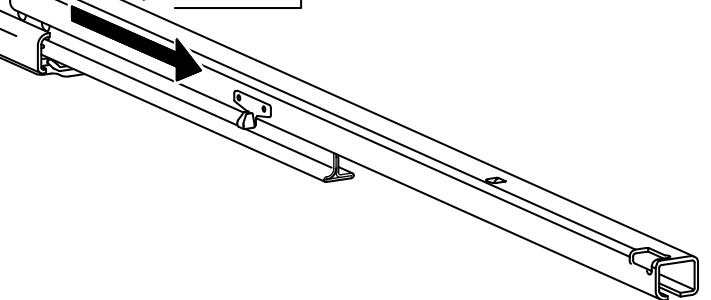
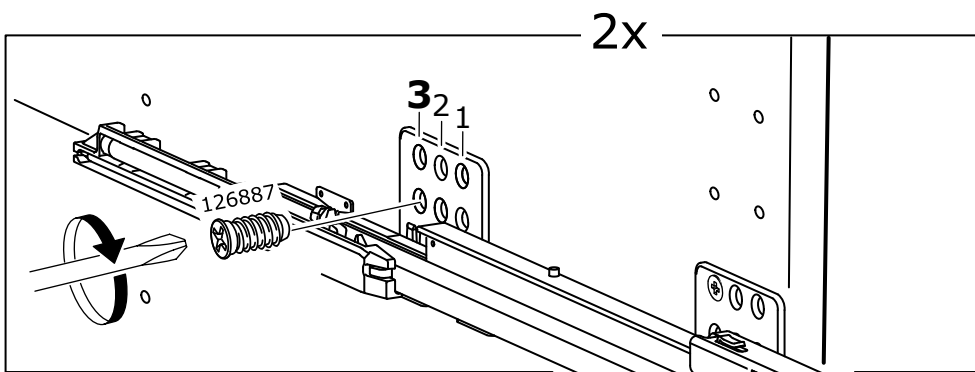
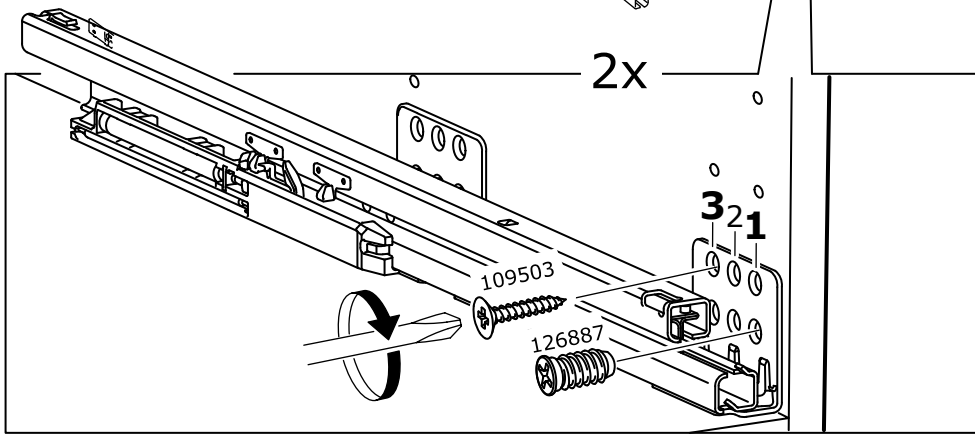
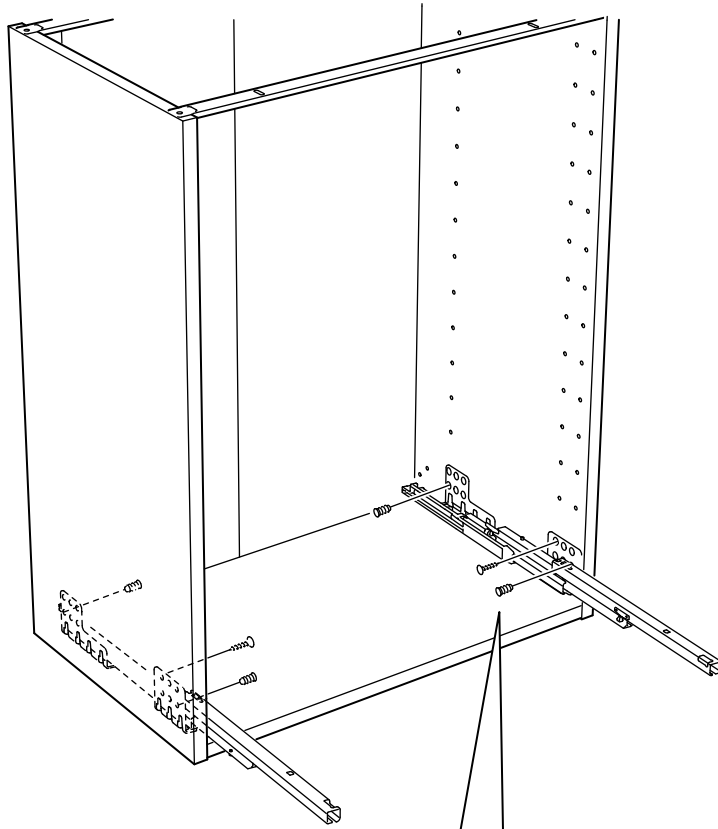


# 12

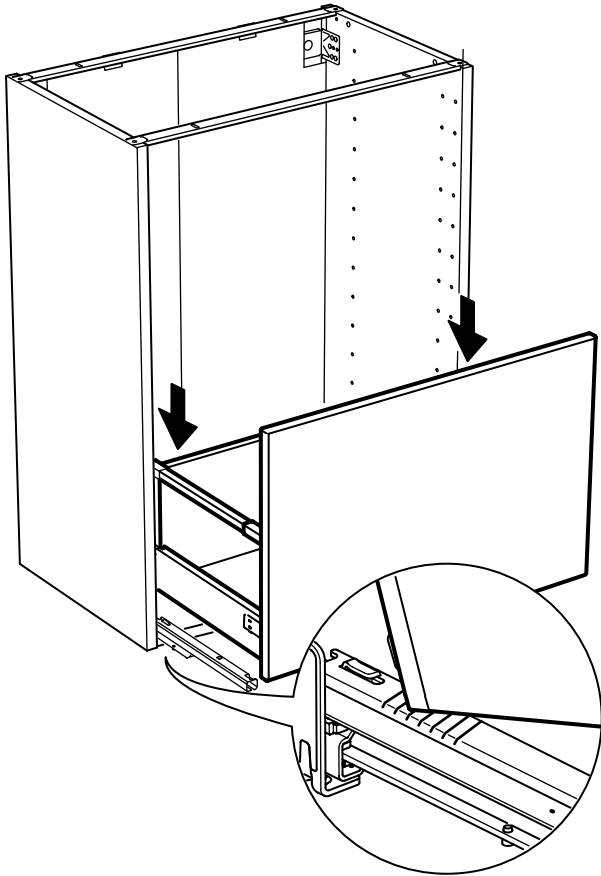




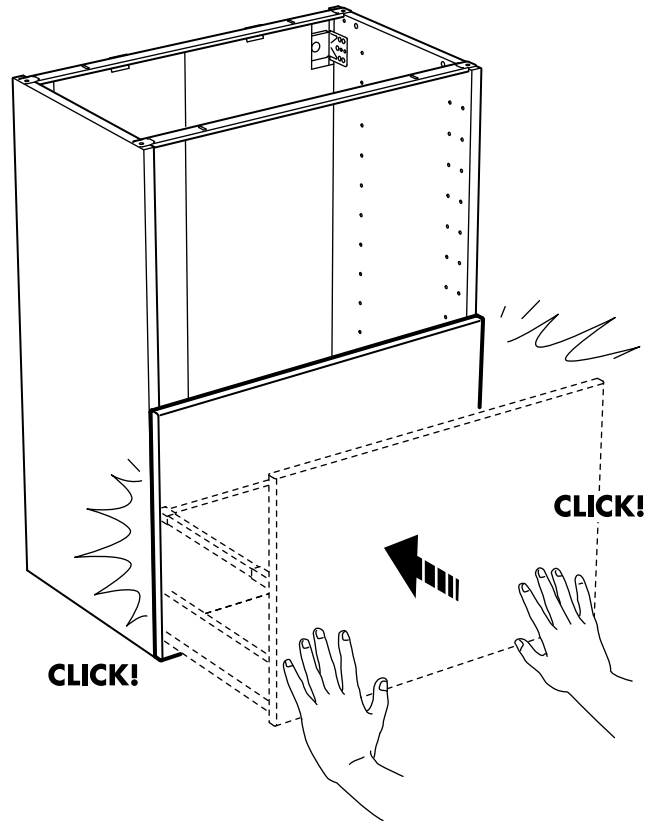
# 13



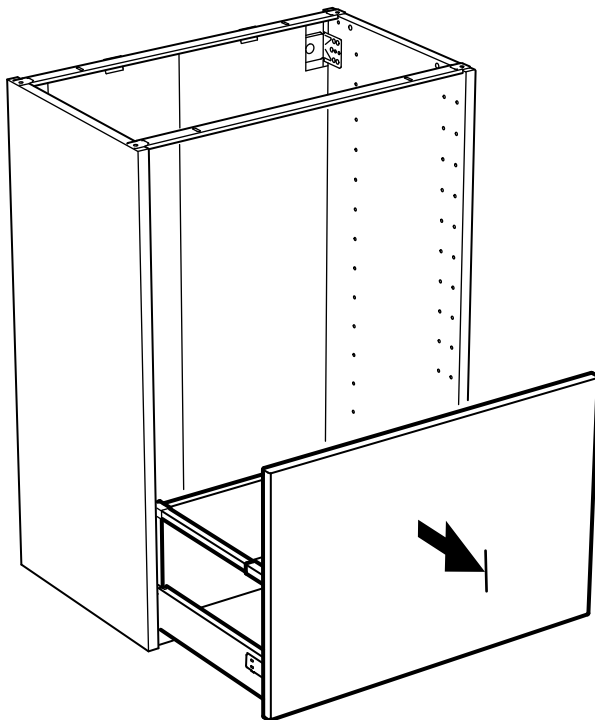
14



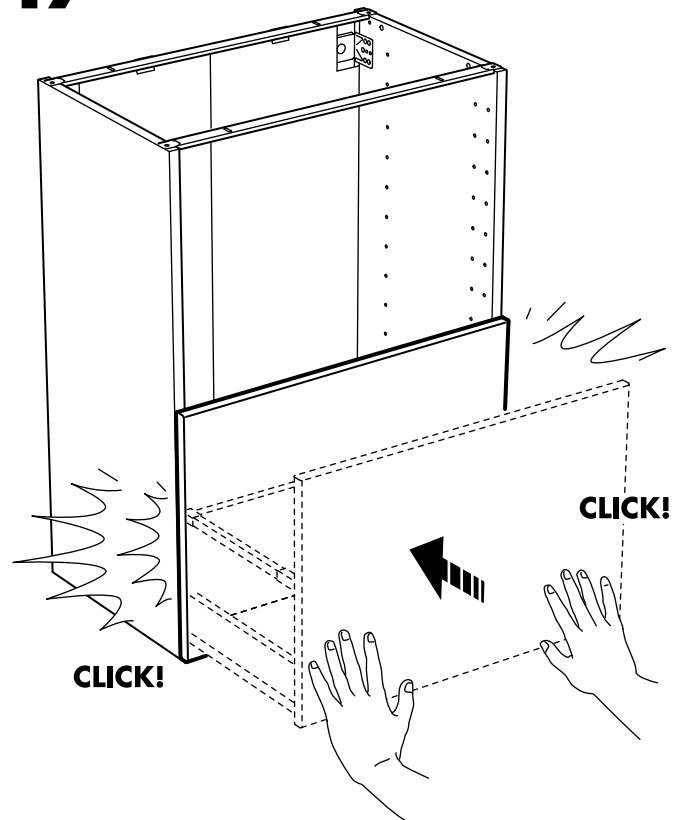
15



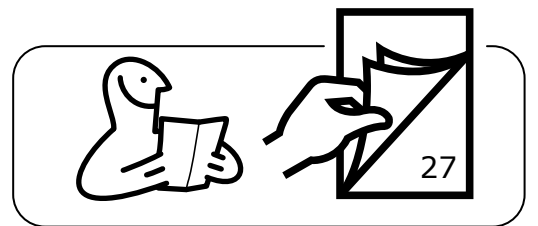
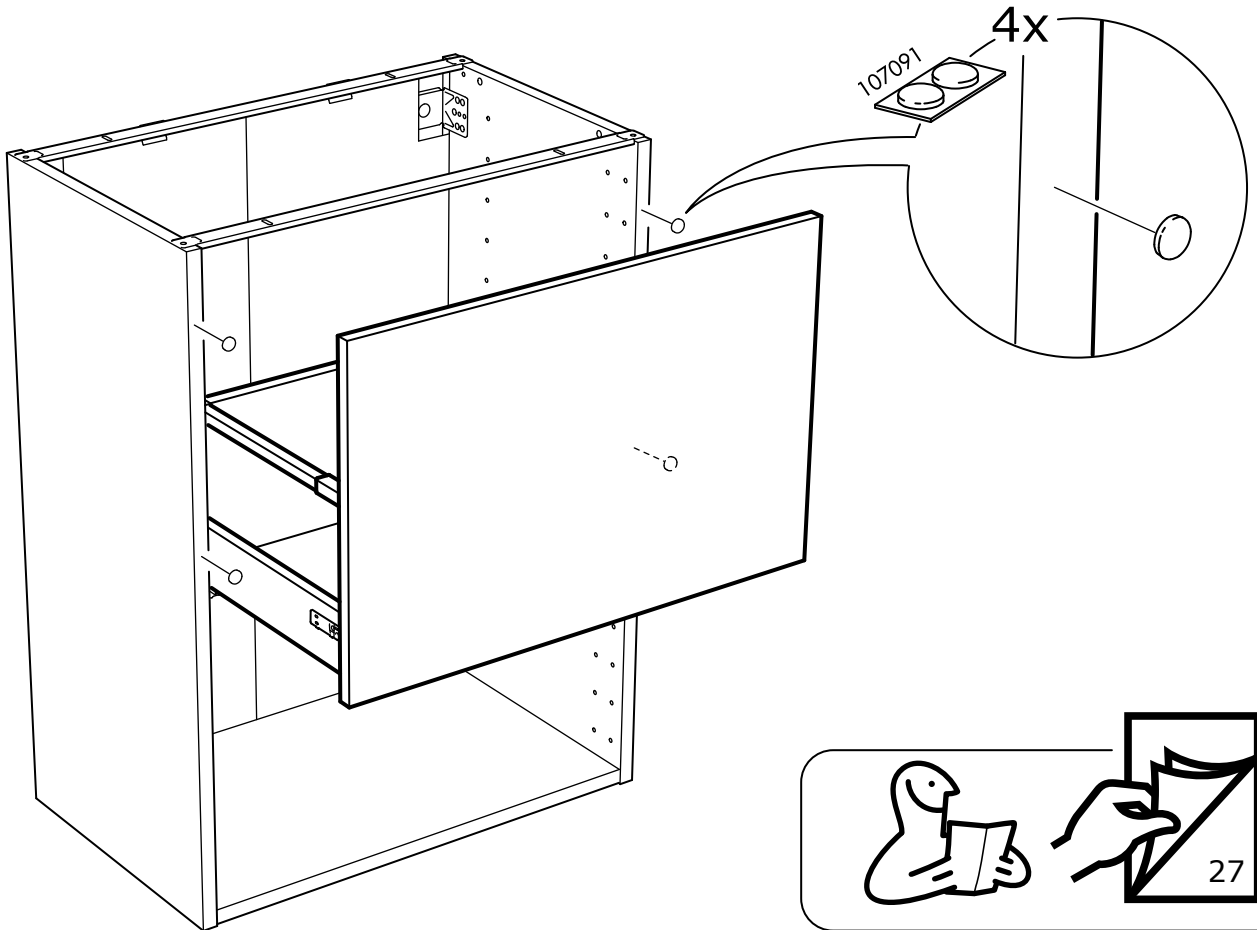
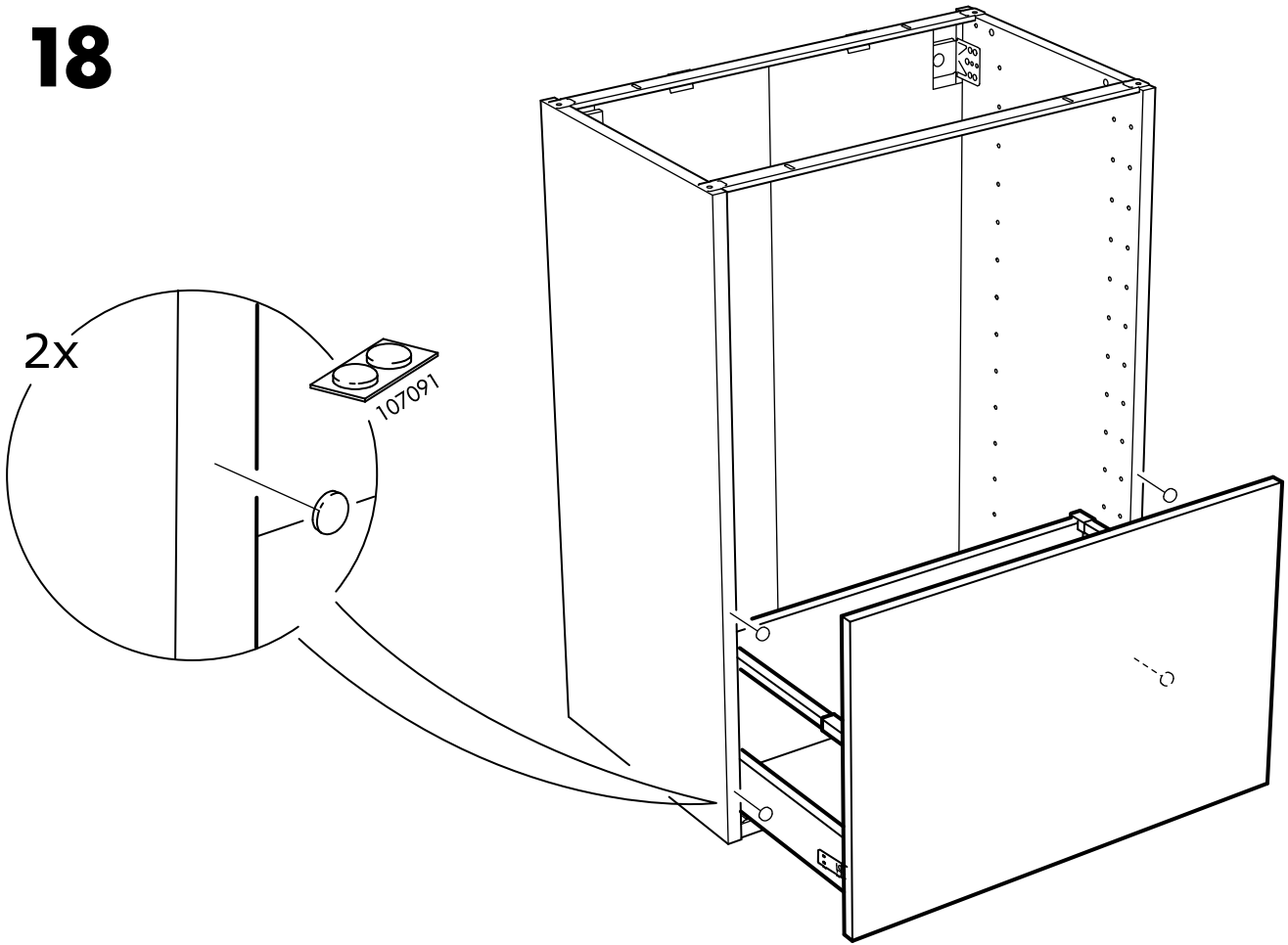
16



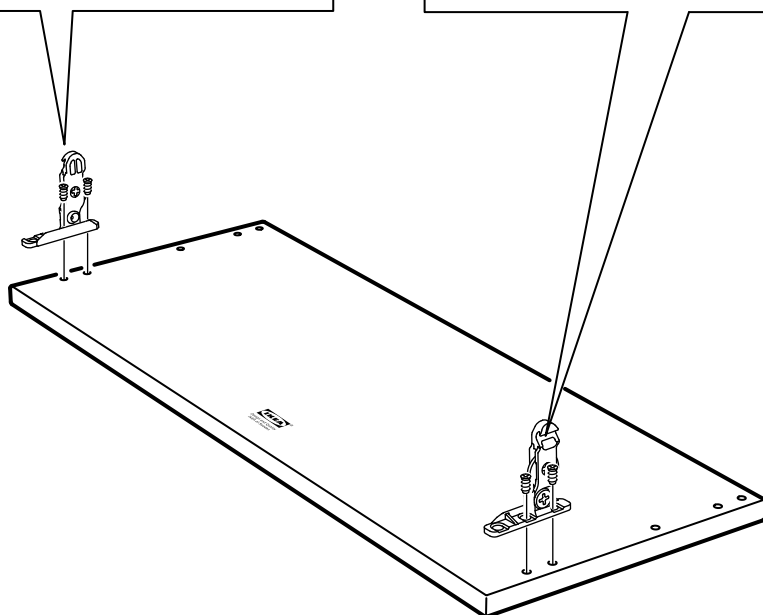
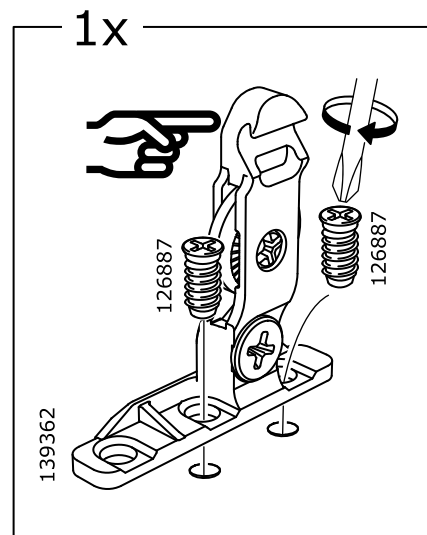
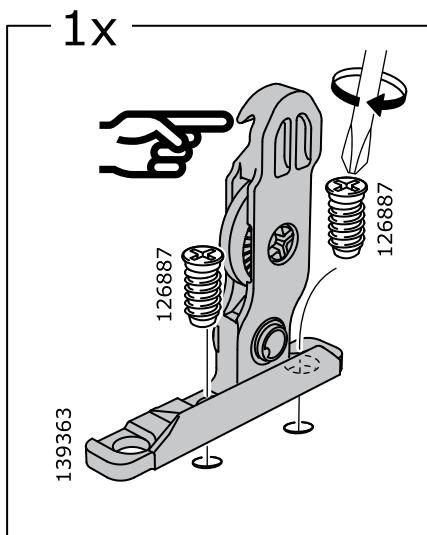
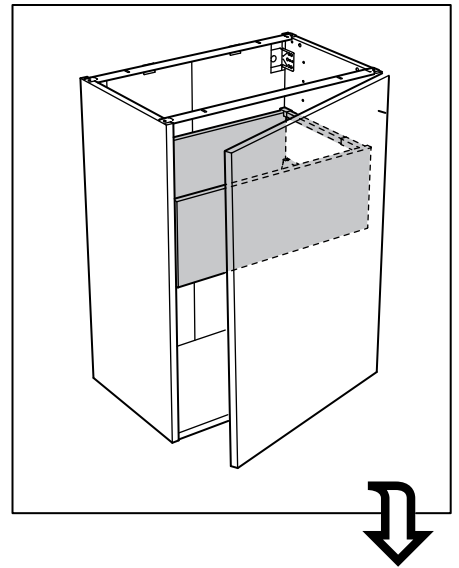
17



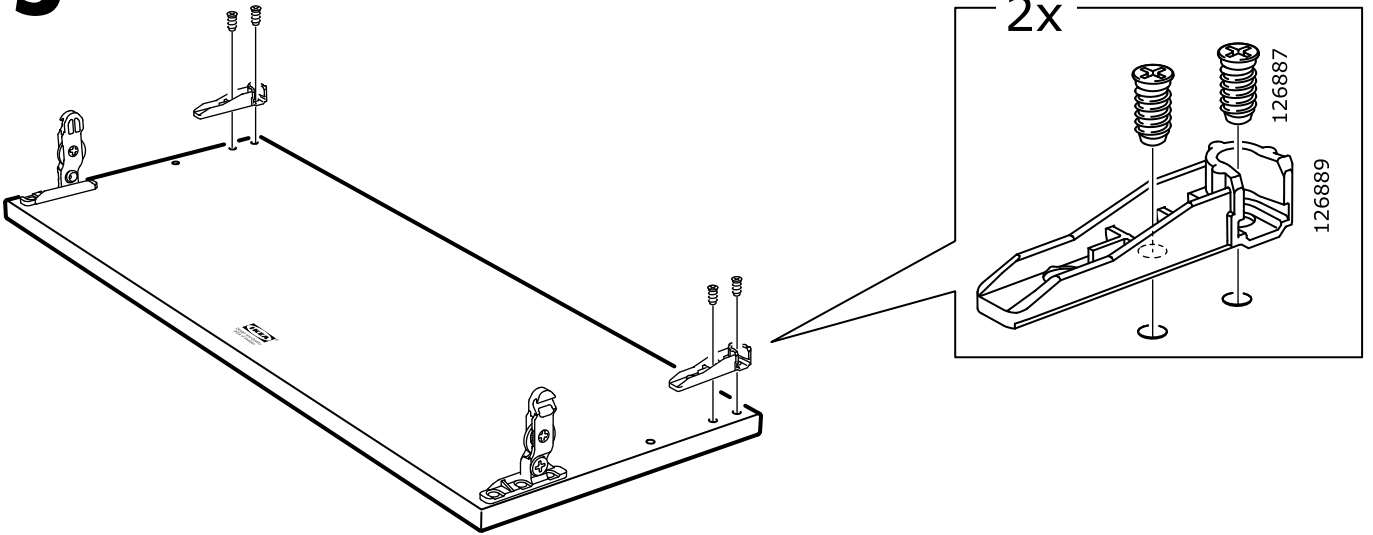
# 18



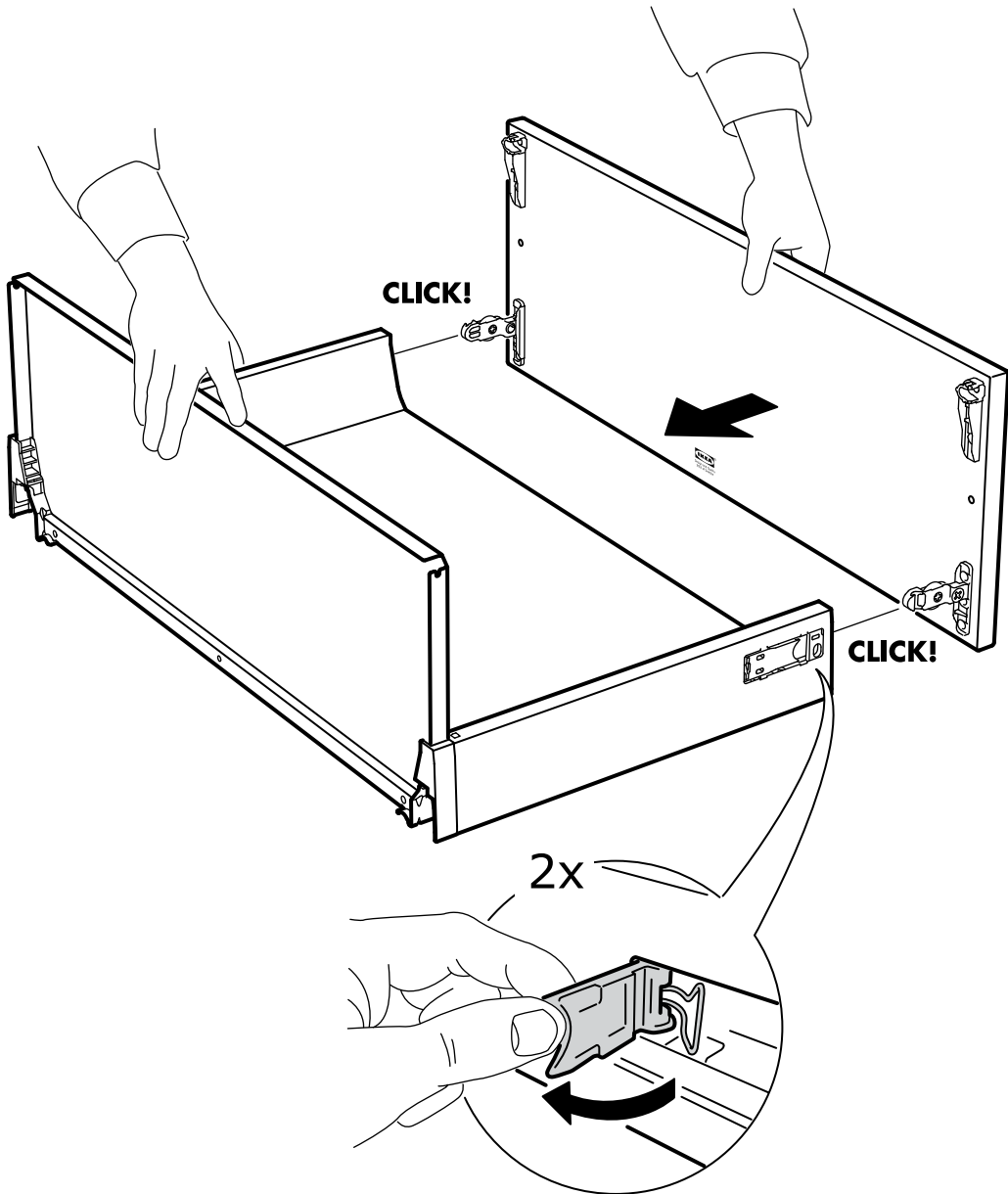
# 4



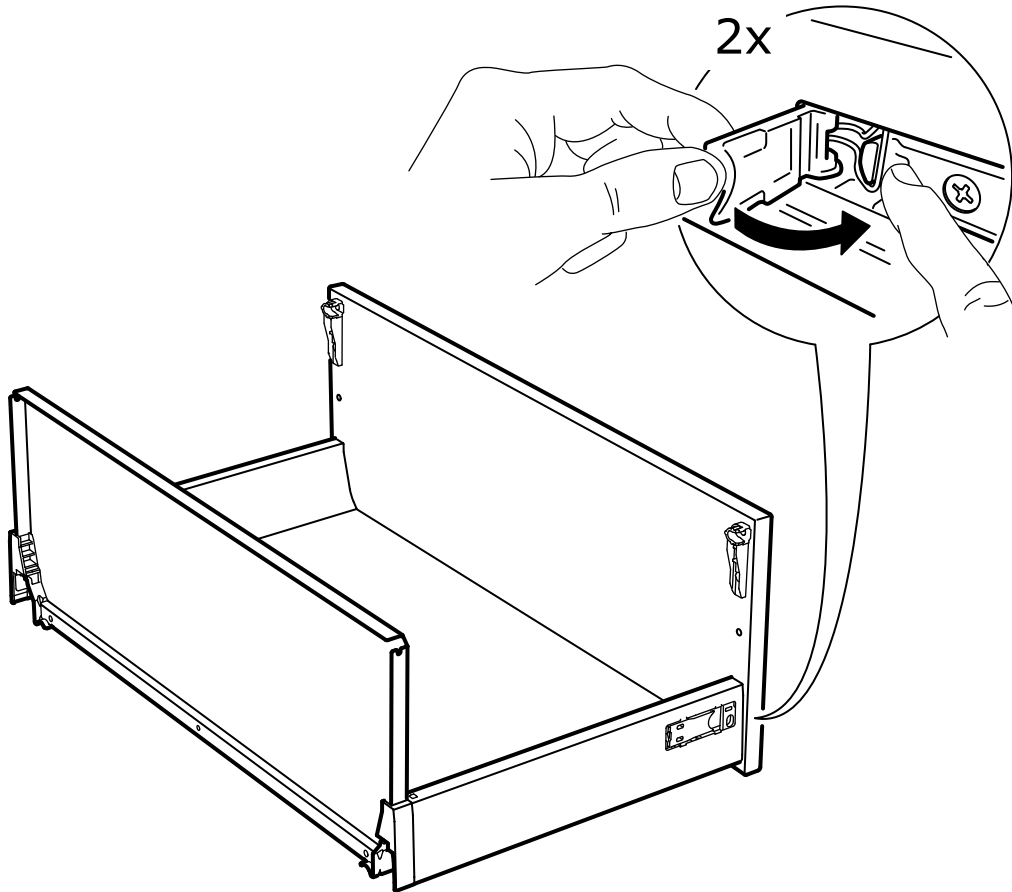
5



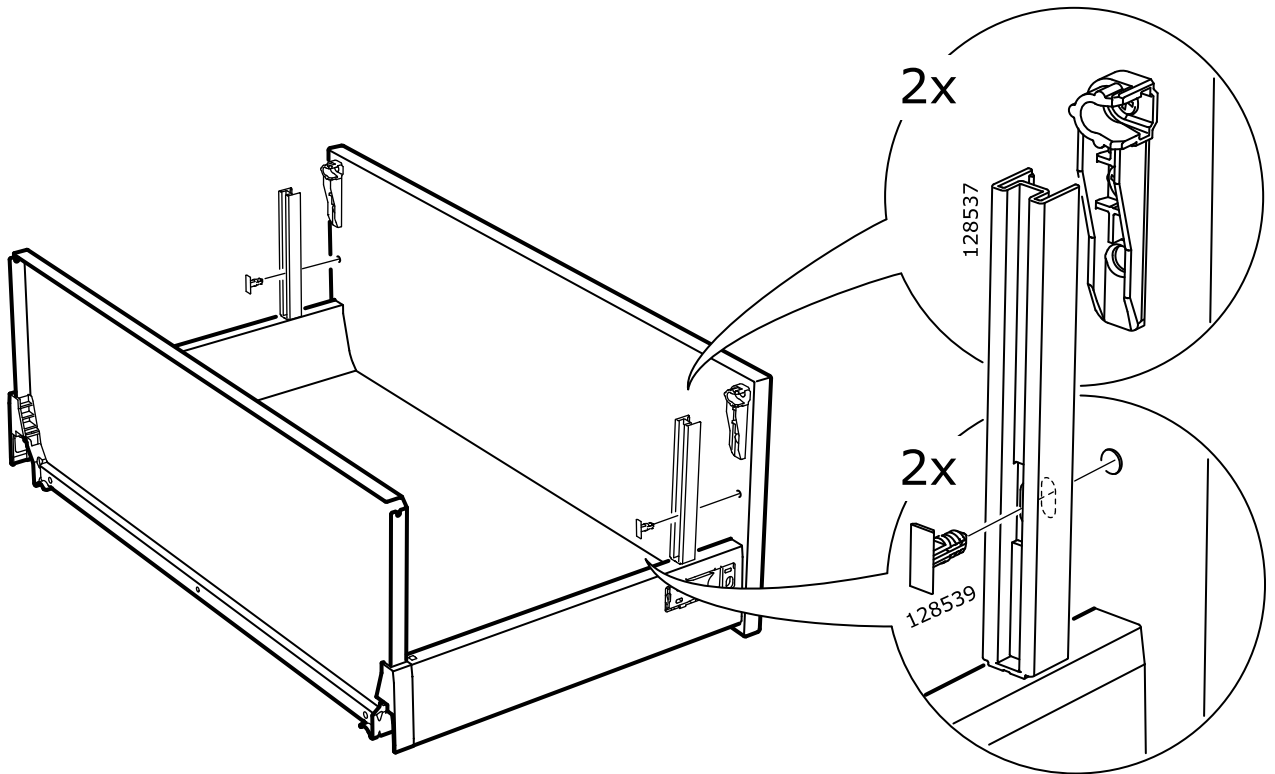
6



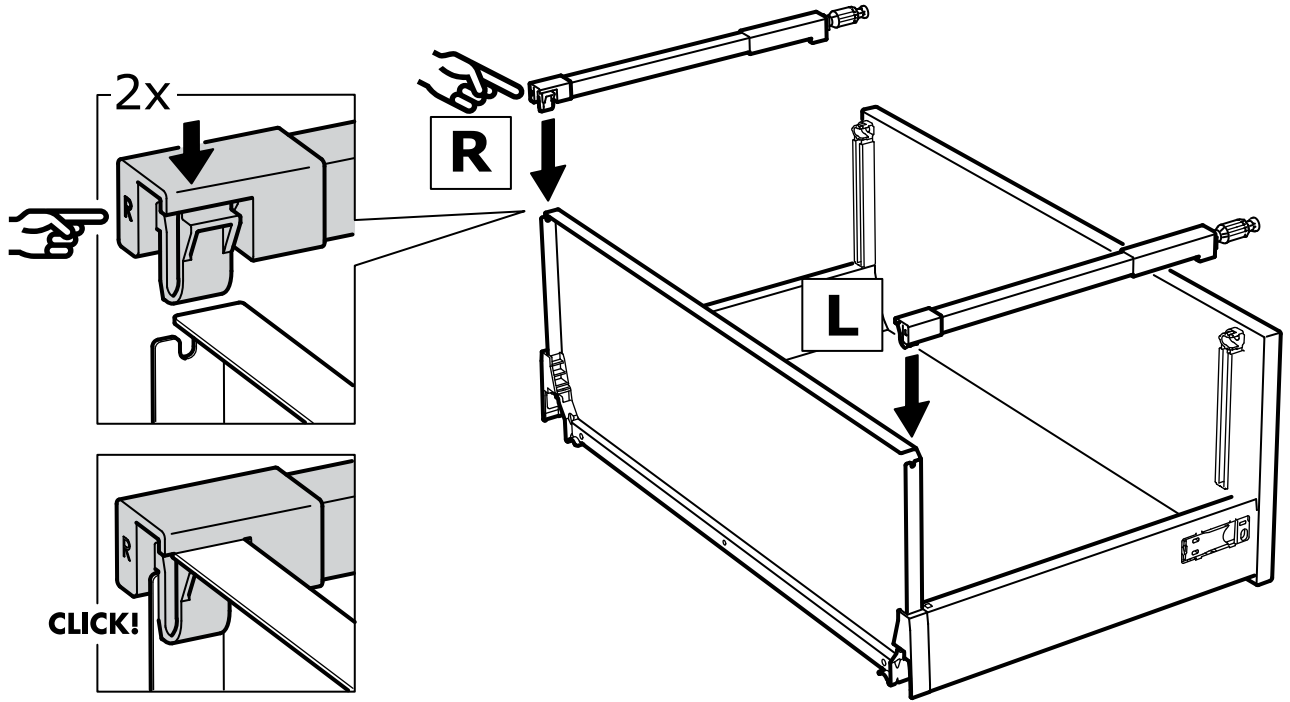
7



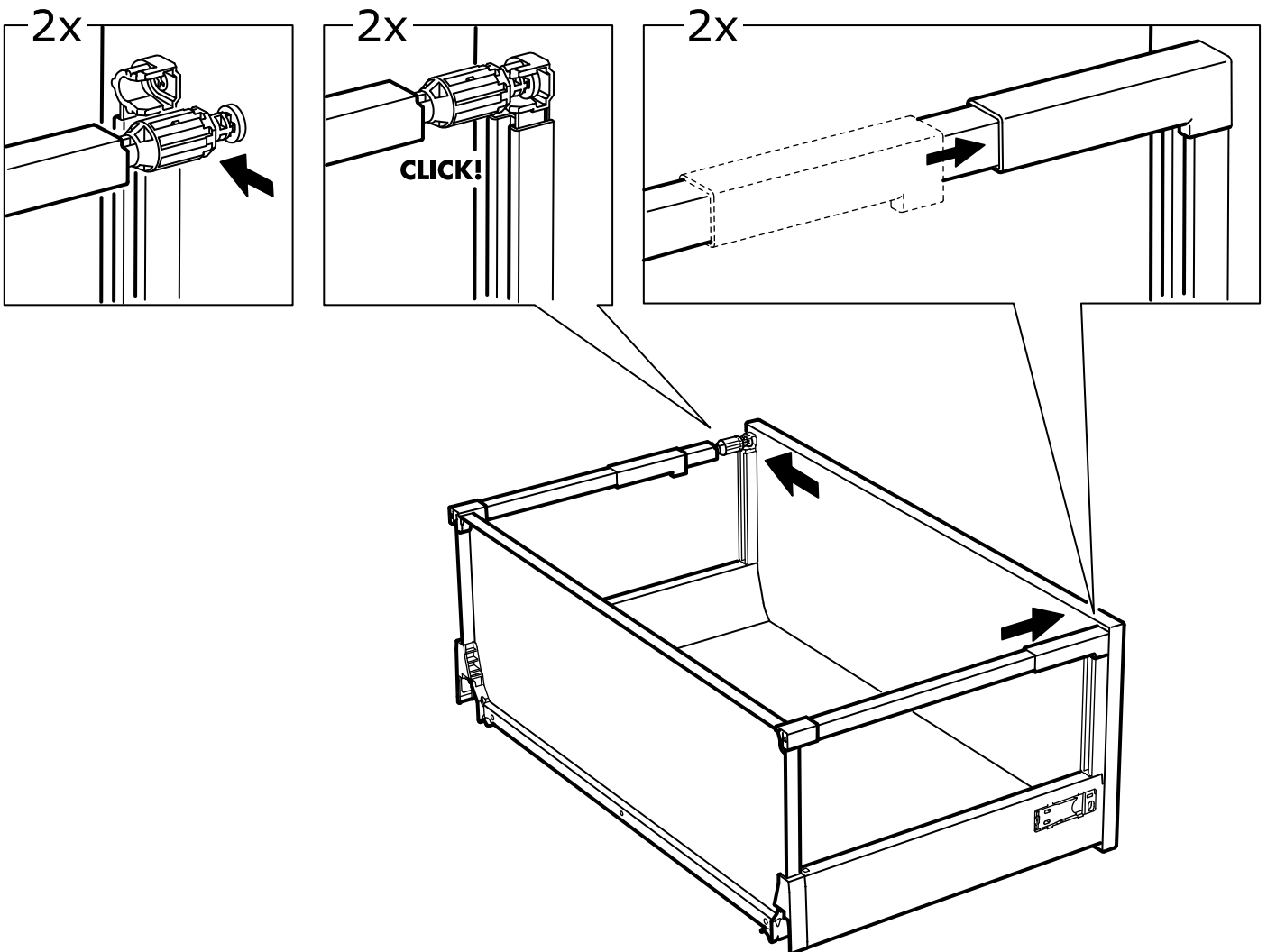
8



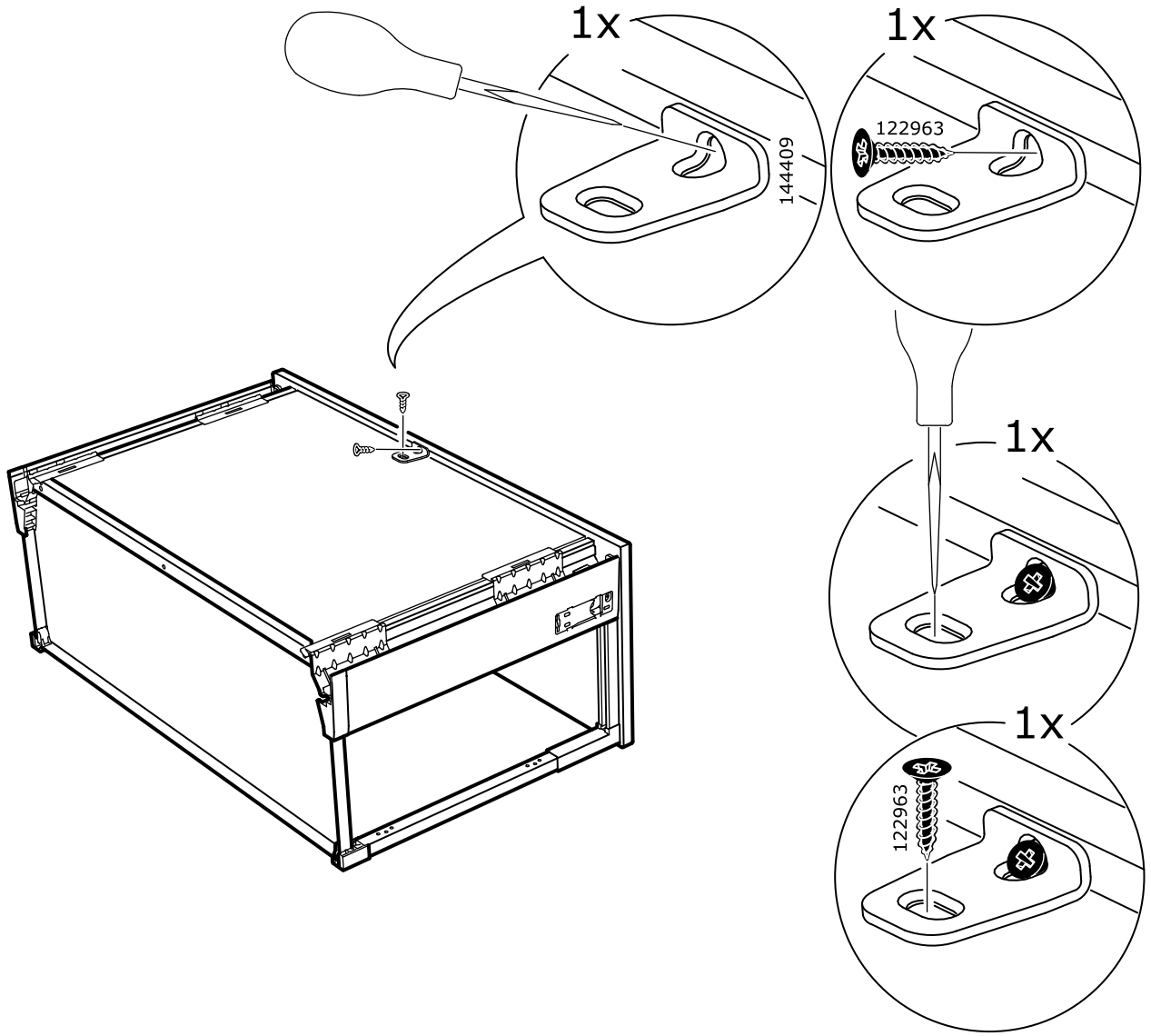
# 9



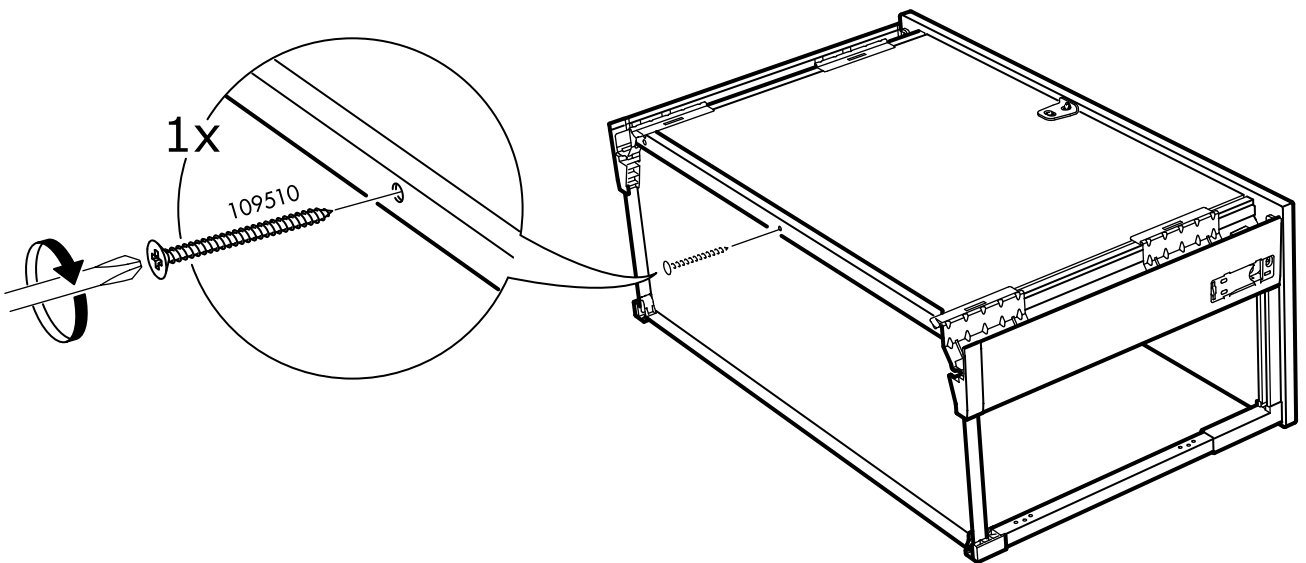
# 10



# 11

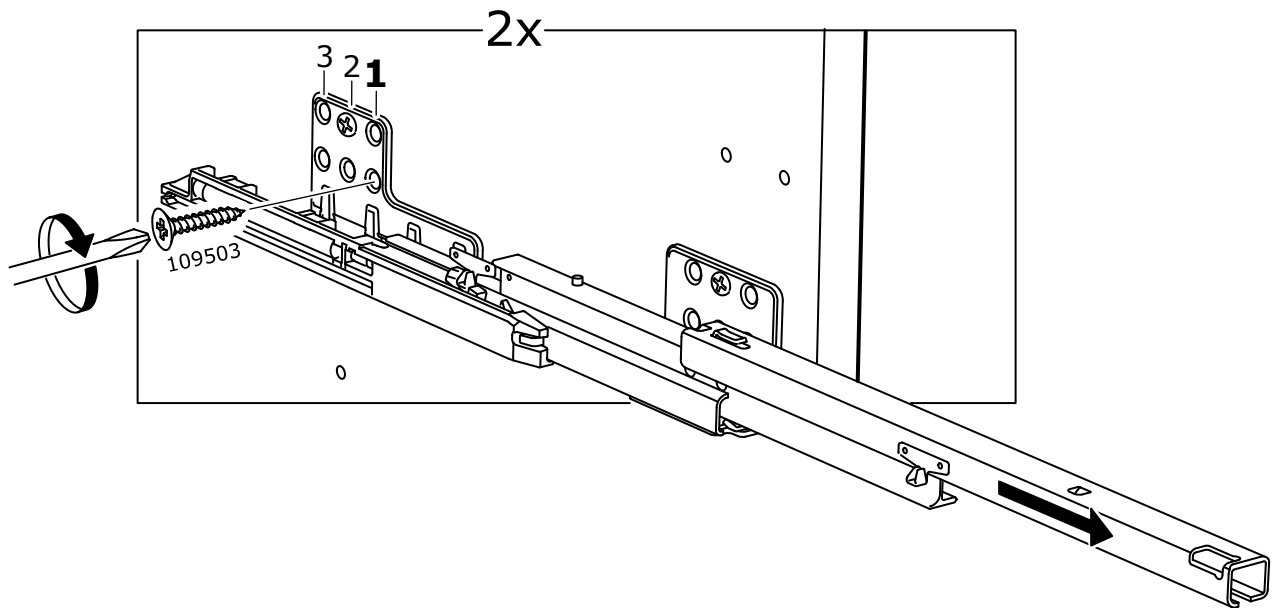
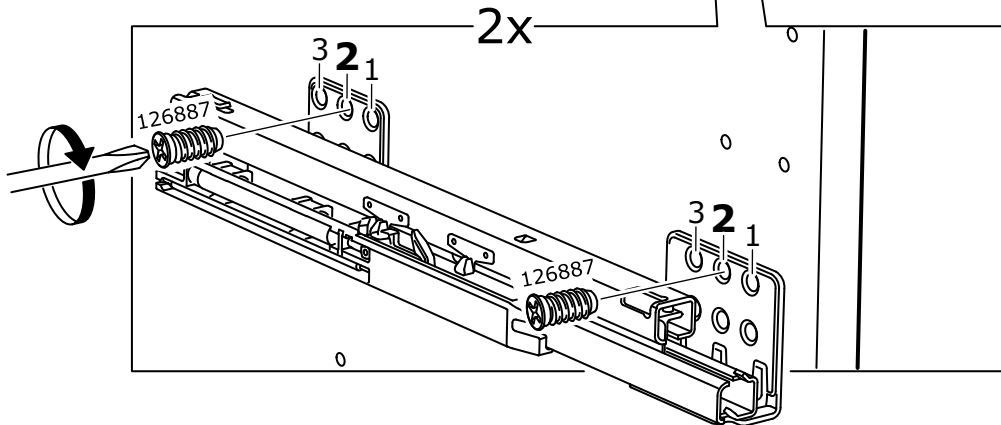
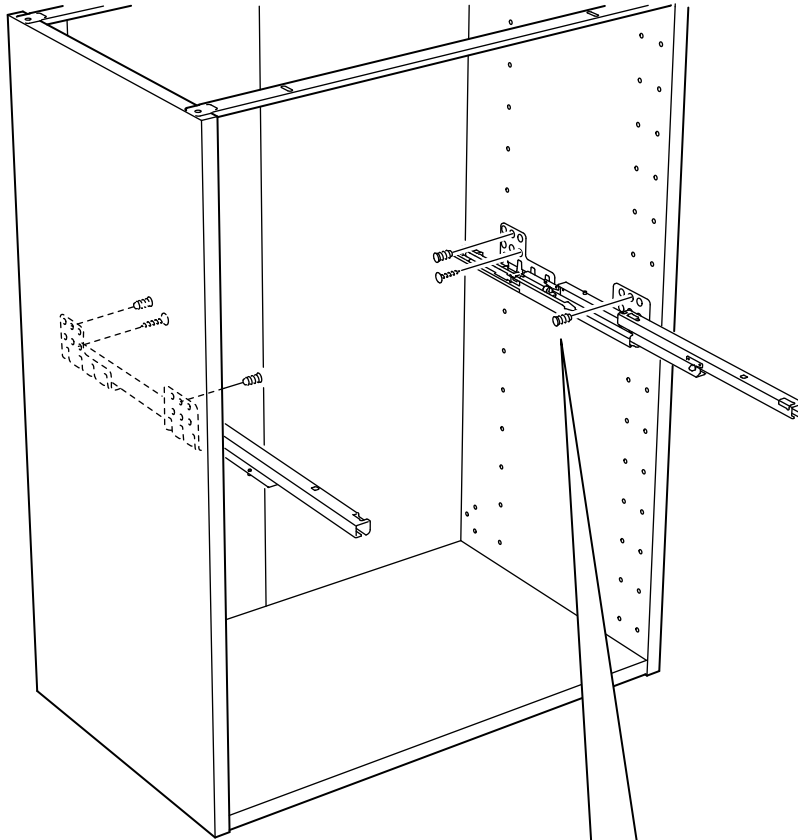


# 12

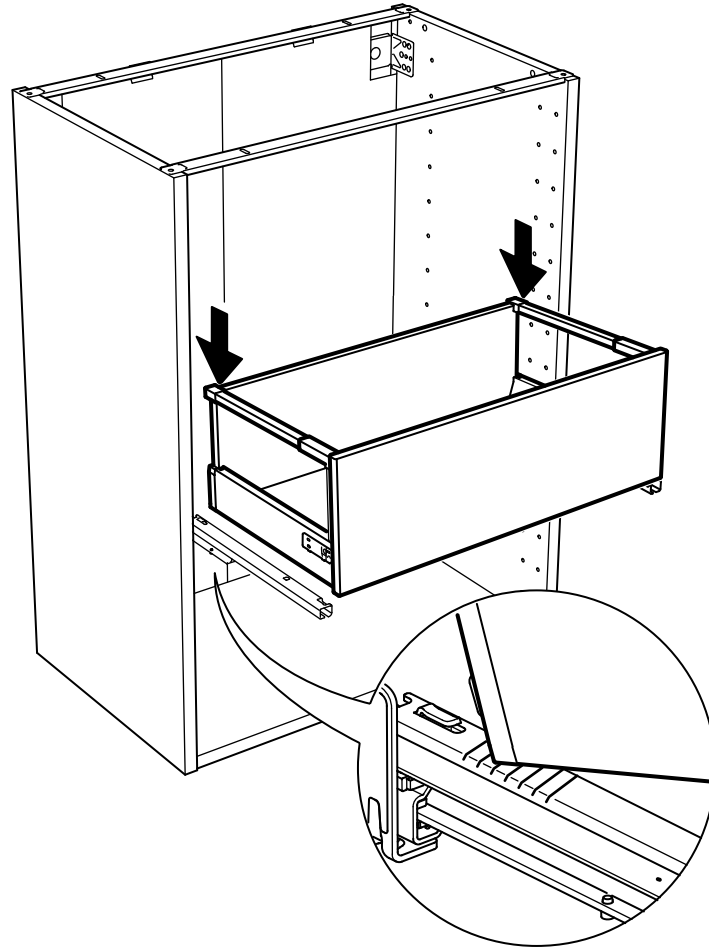




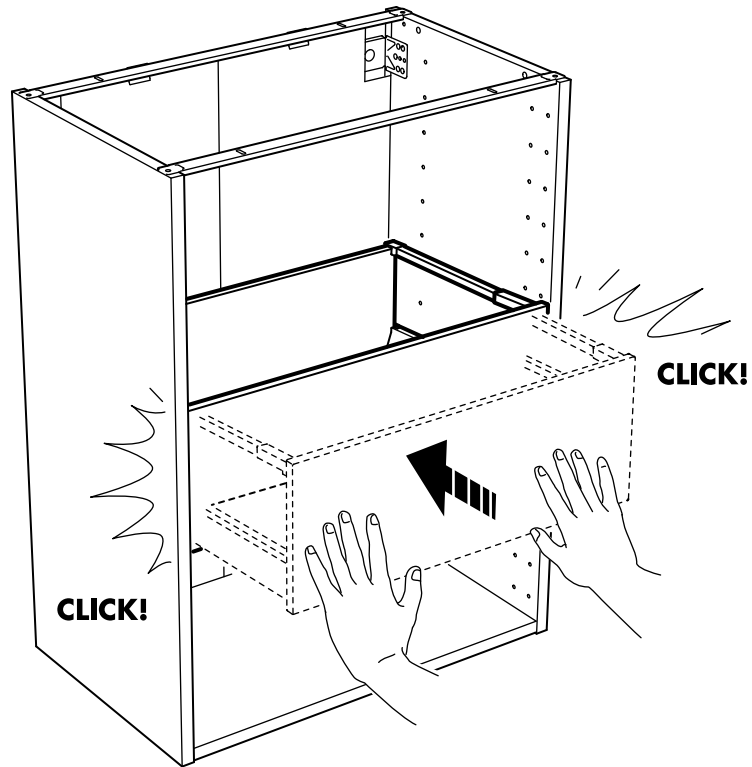
**13**

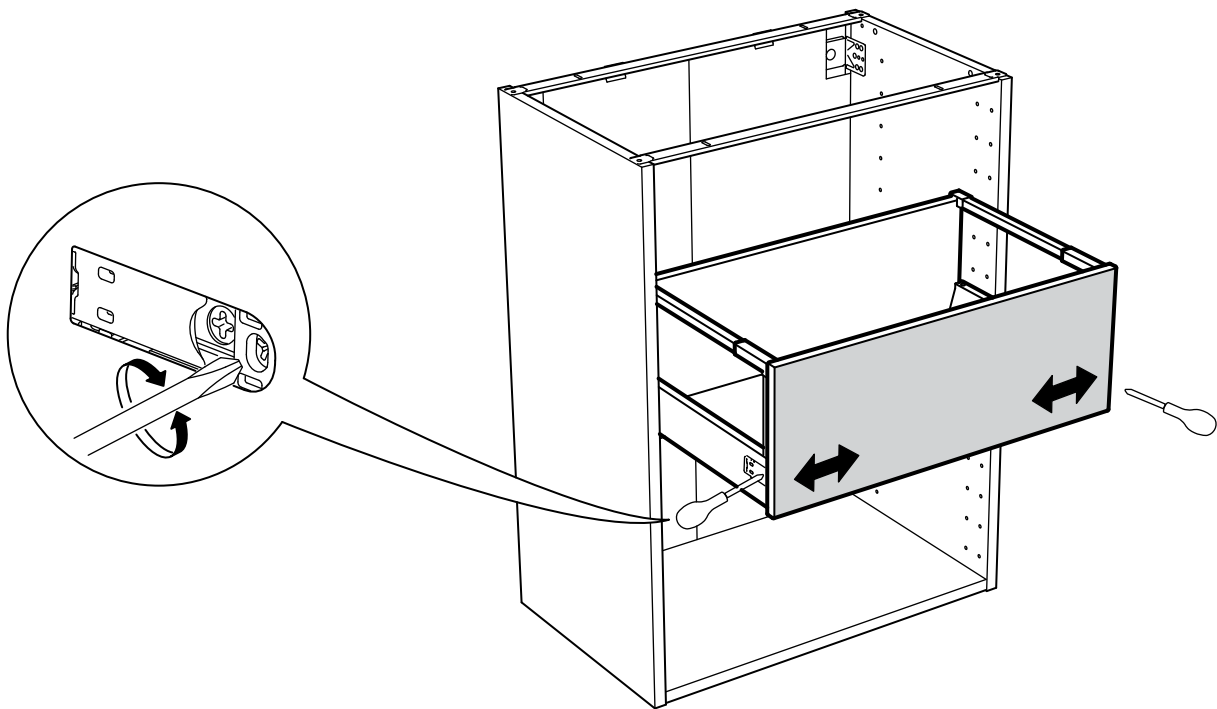
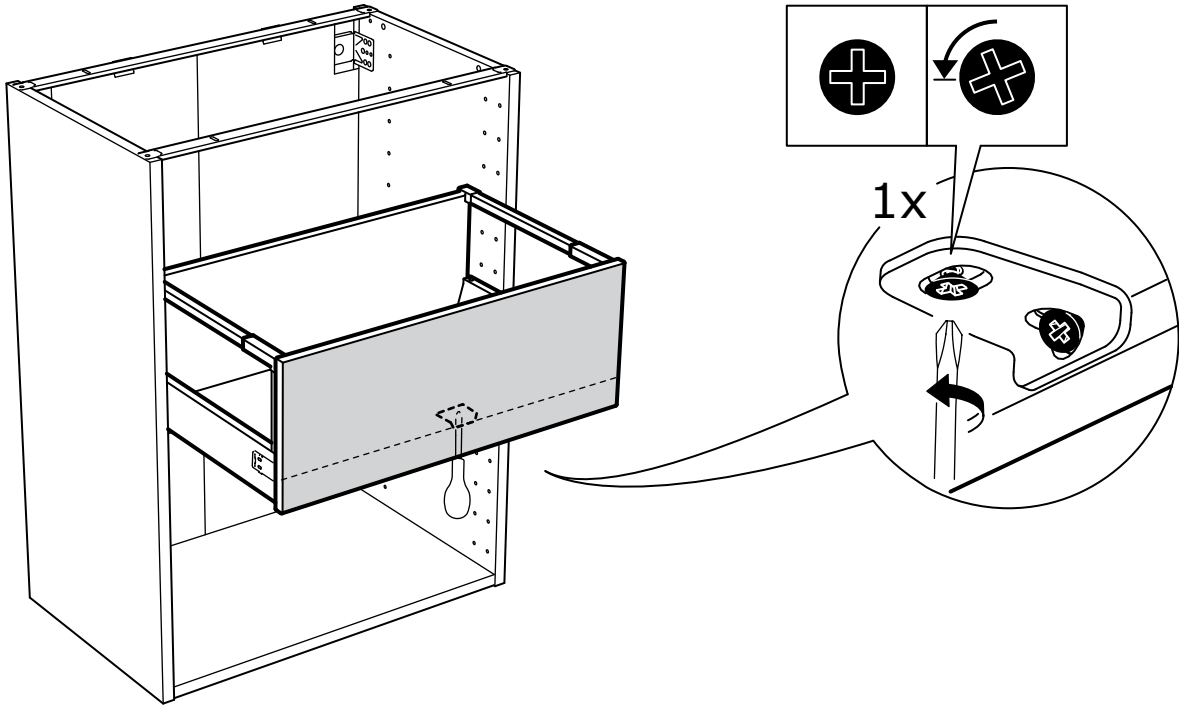
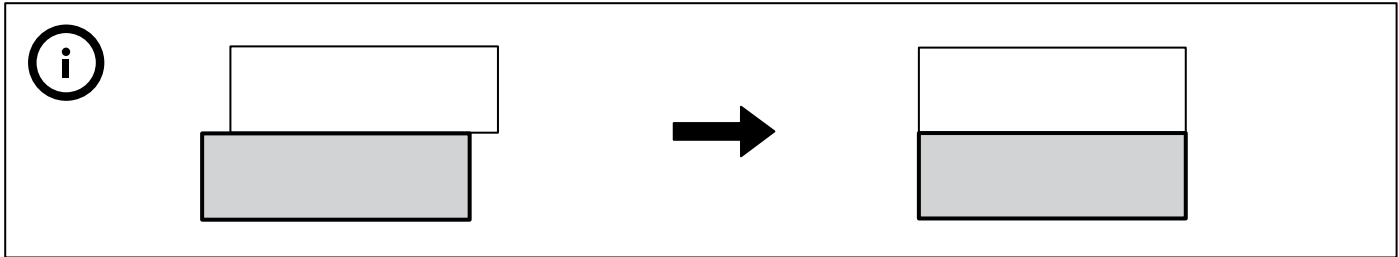


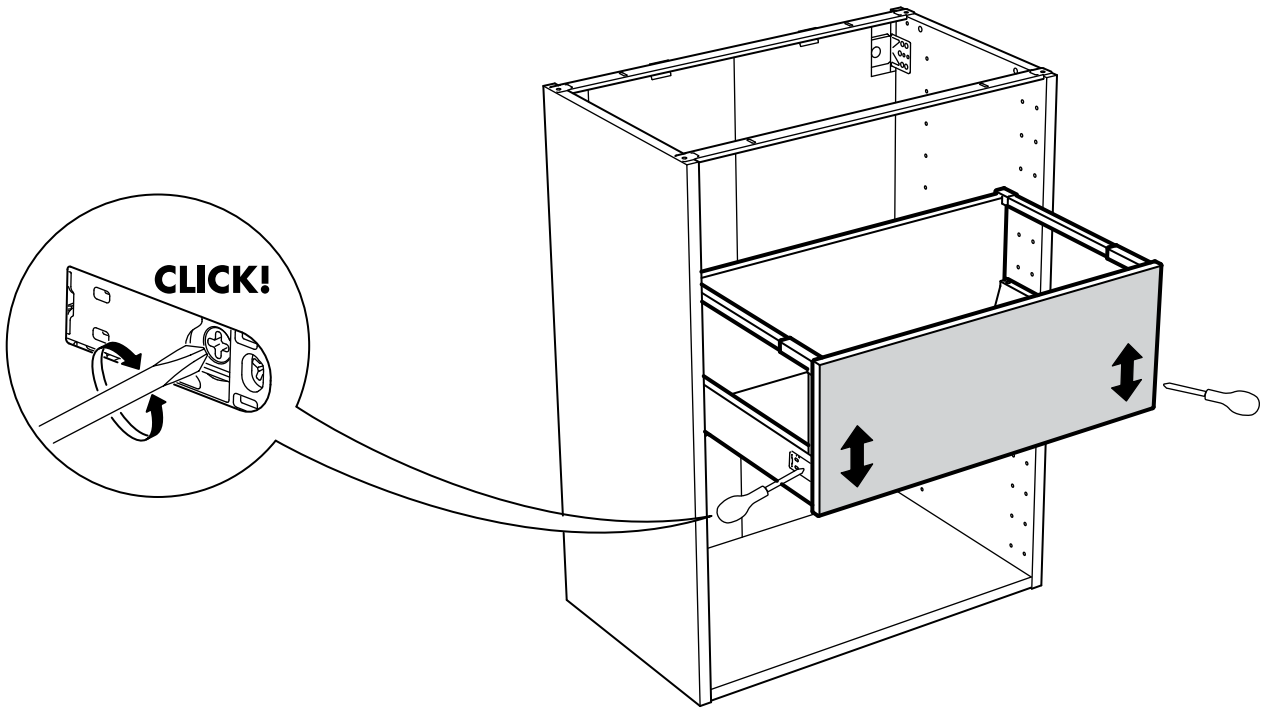
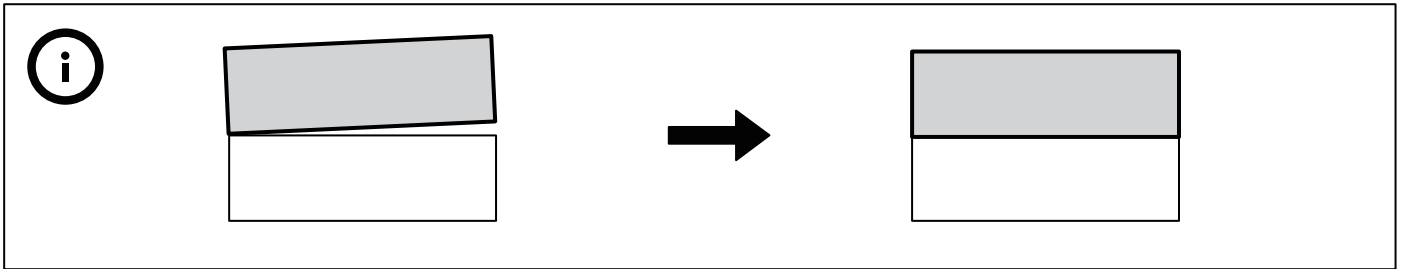
14



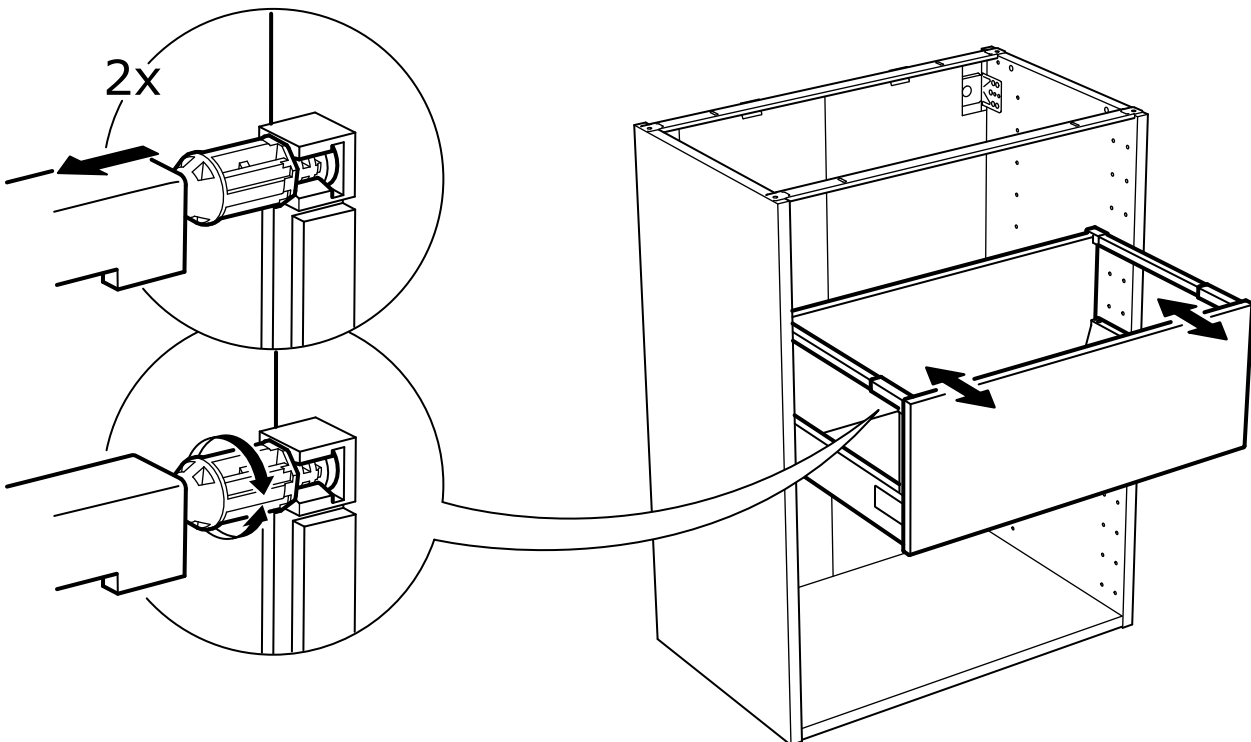
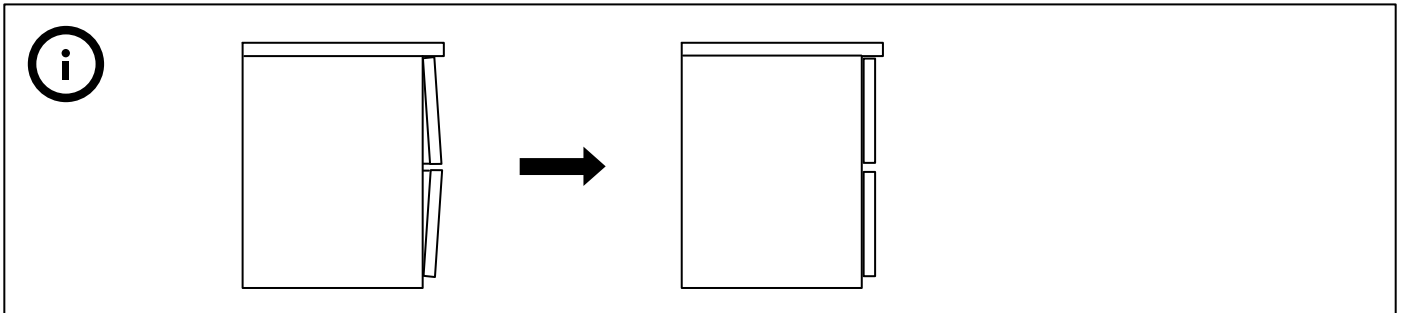
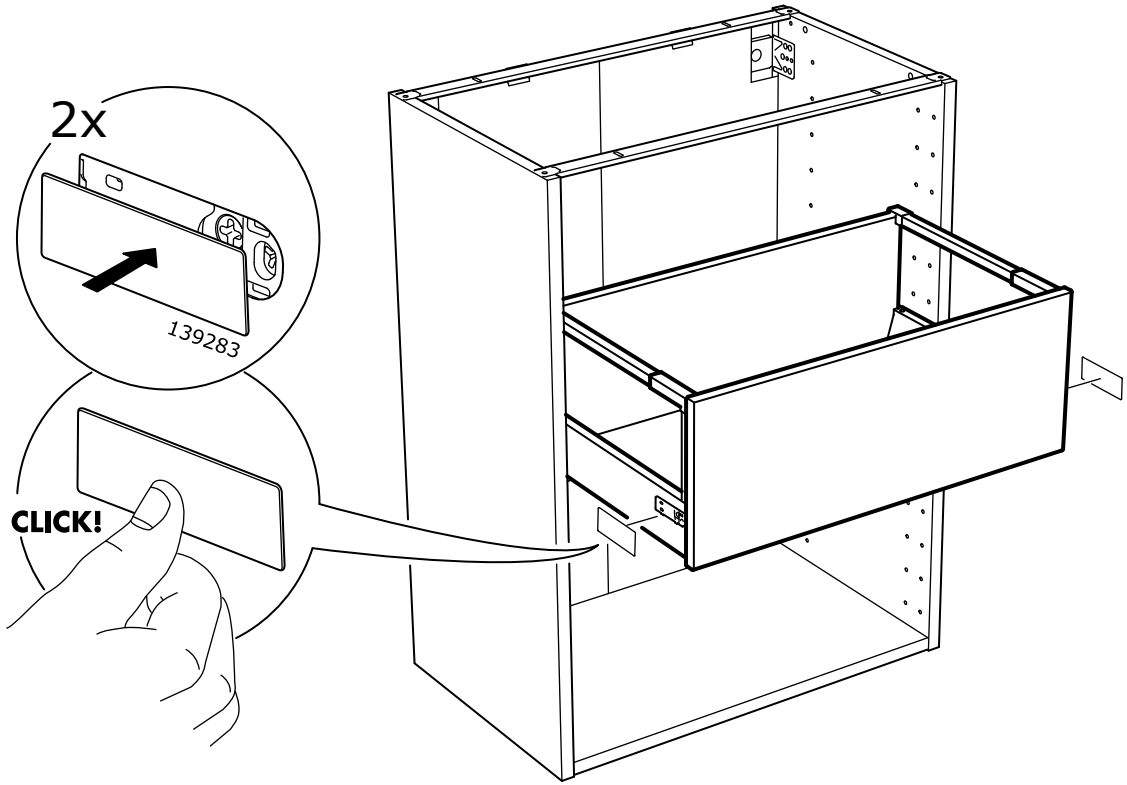
15

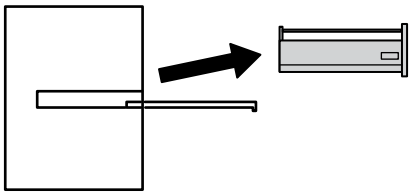




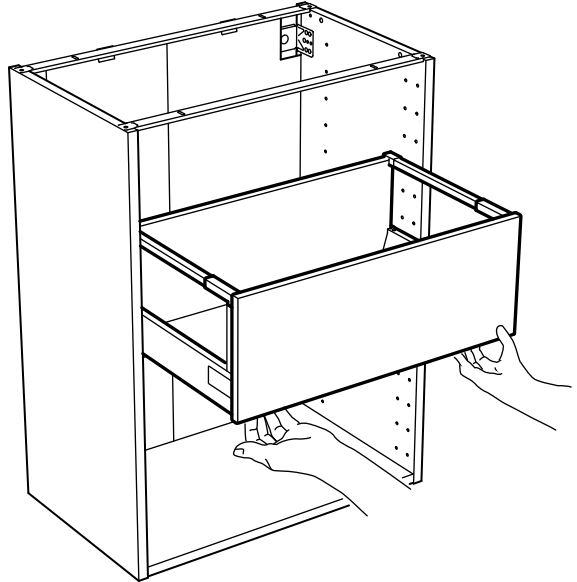


# 16

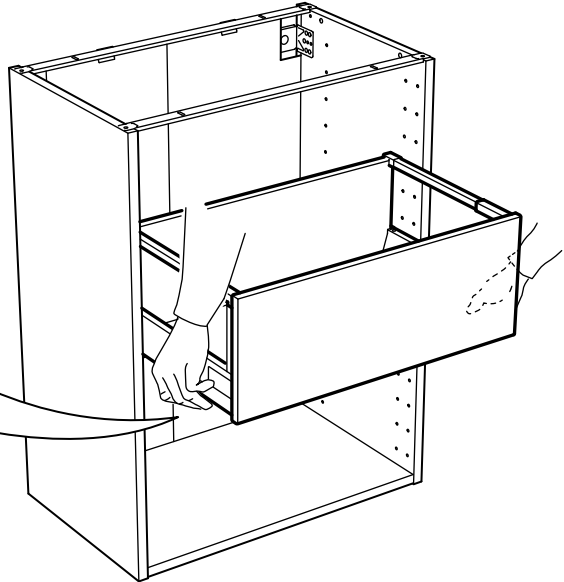




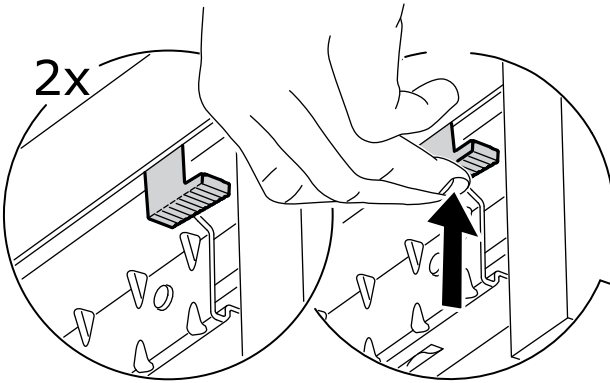
**1**



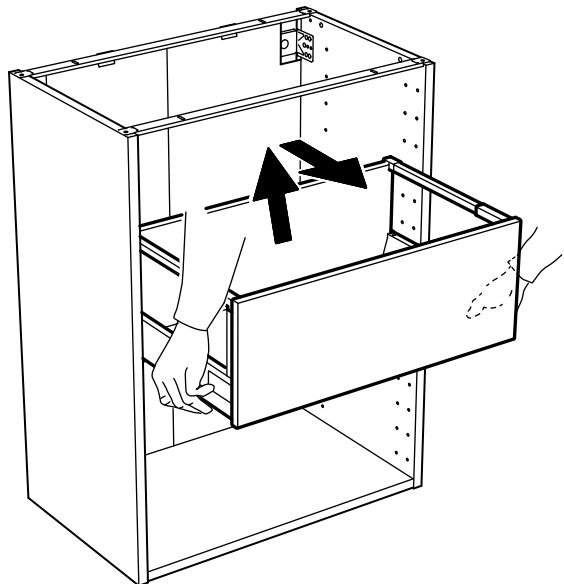
**2**

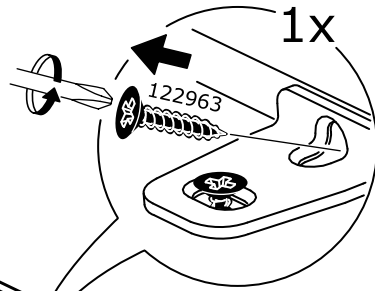
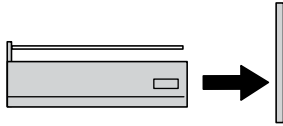


2x

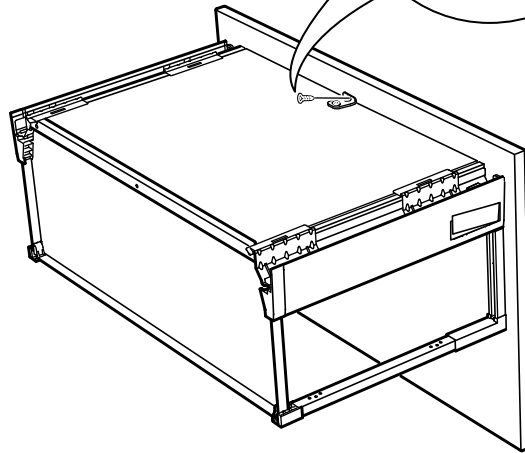


**3**

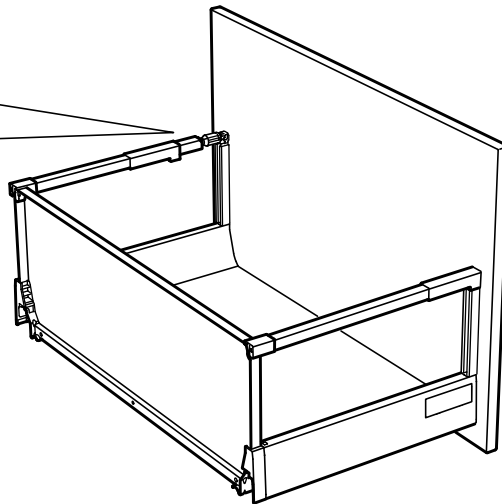
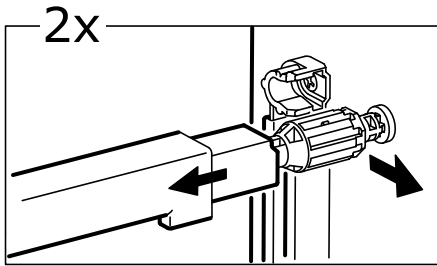




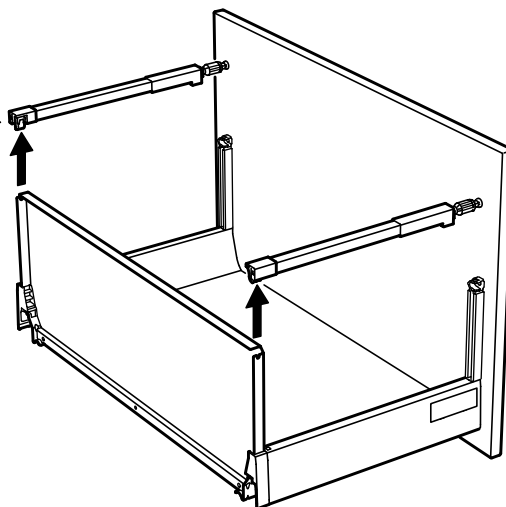
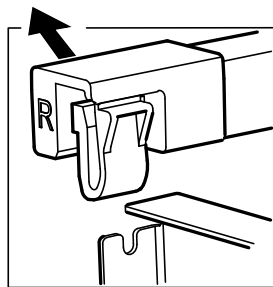
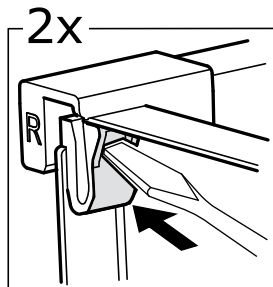
**1**



**2**

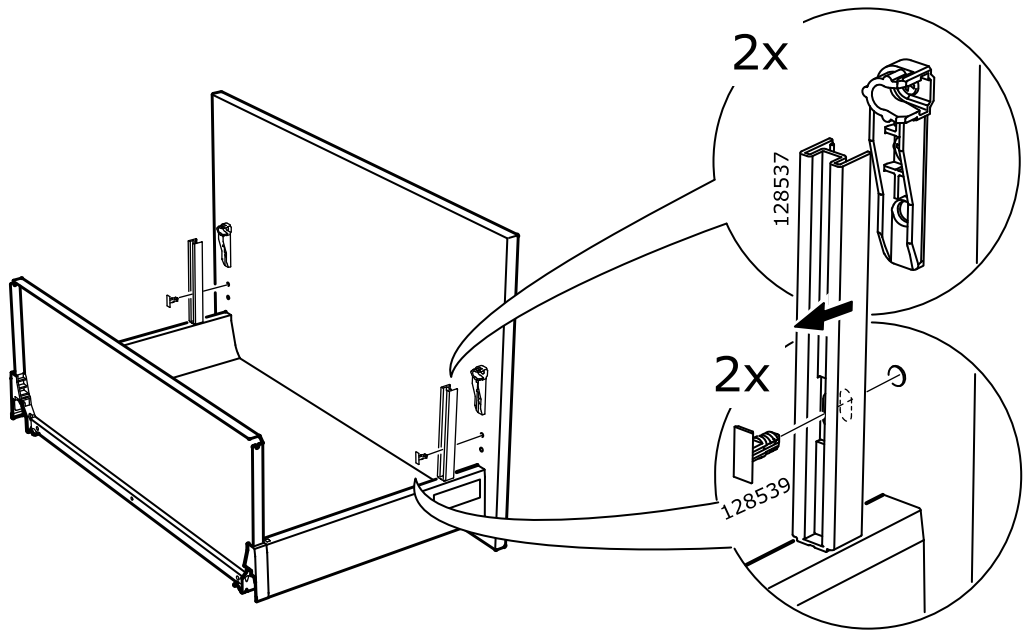


**3**





4



5

