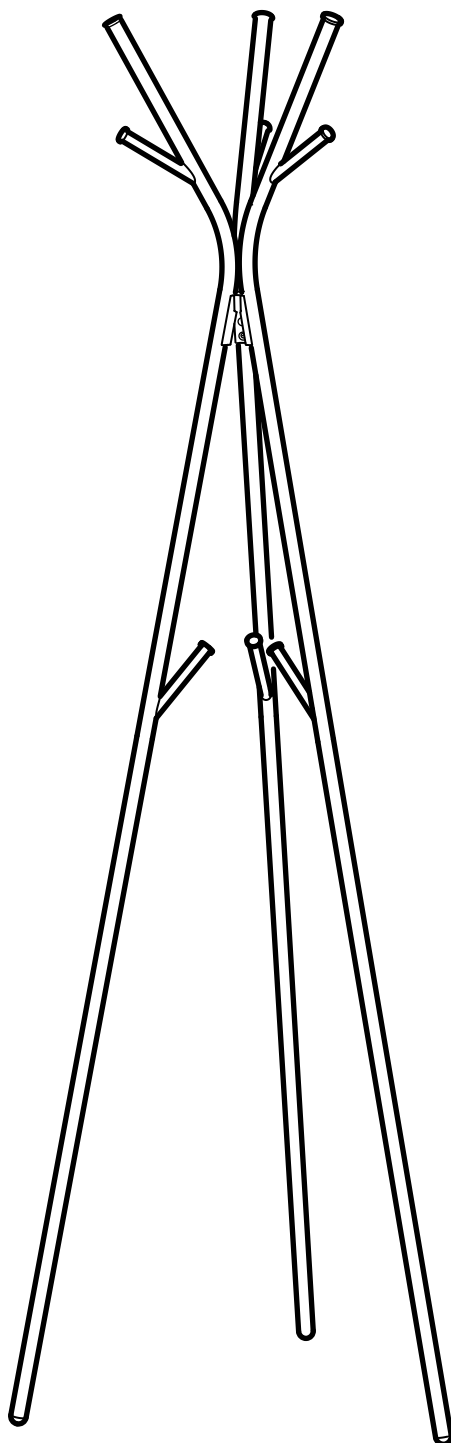
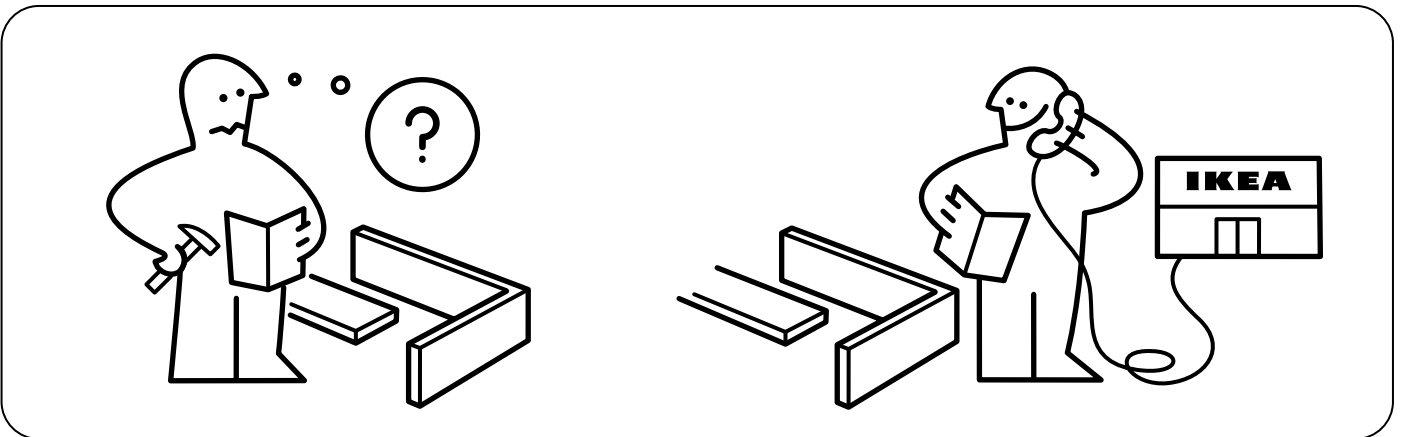
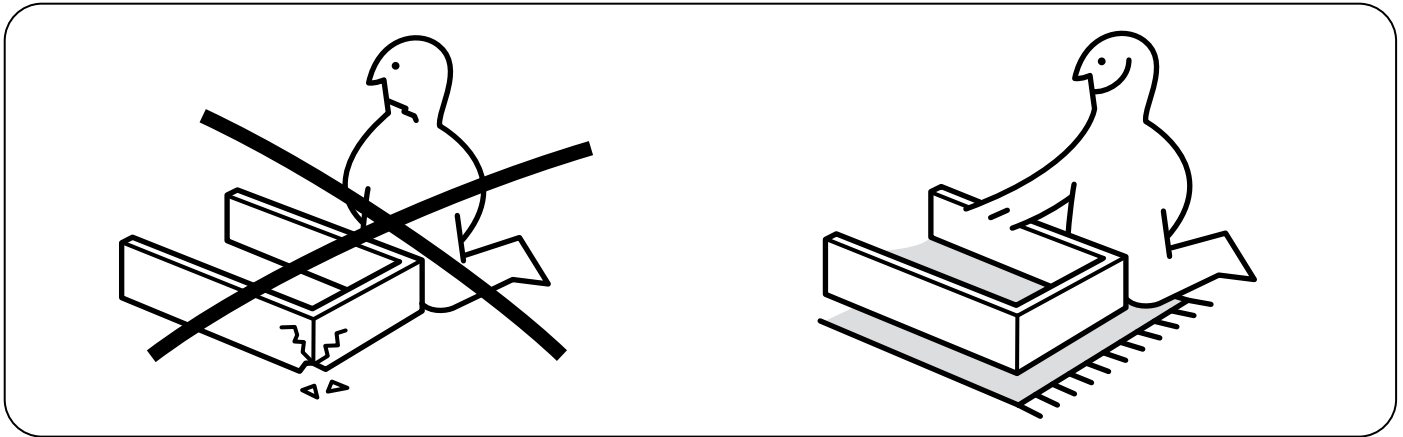
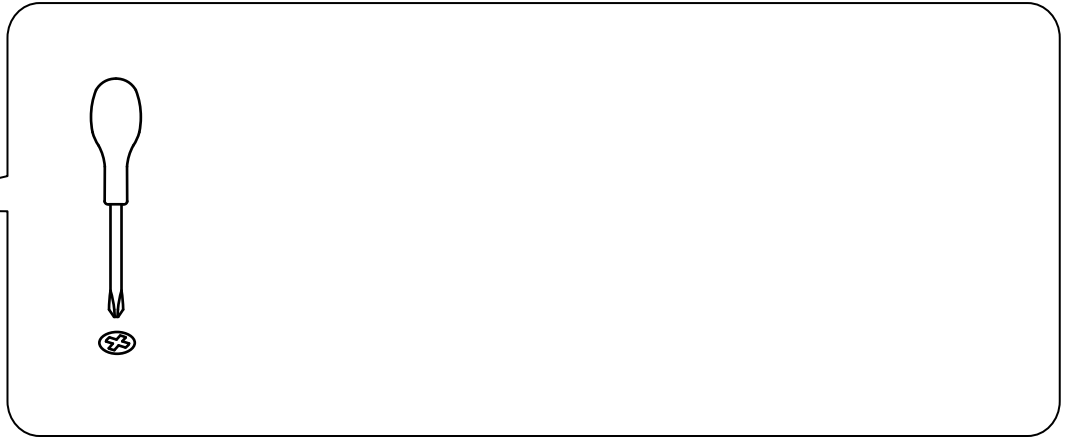


KNIPPPE

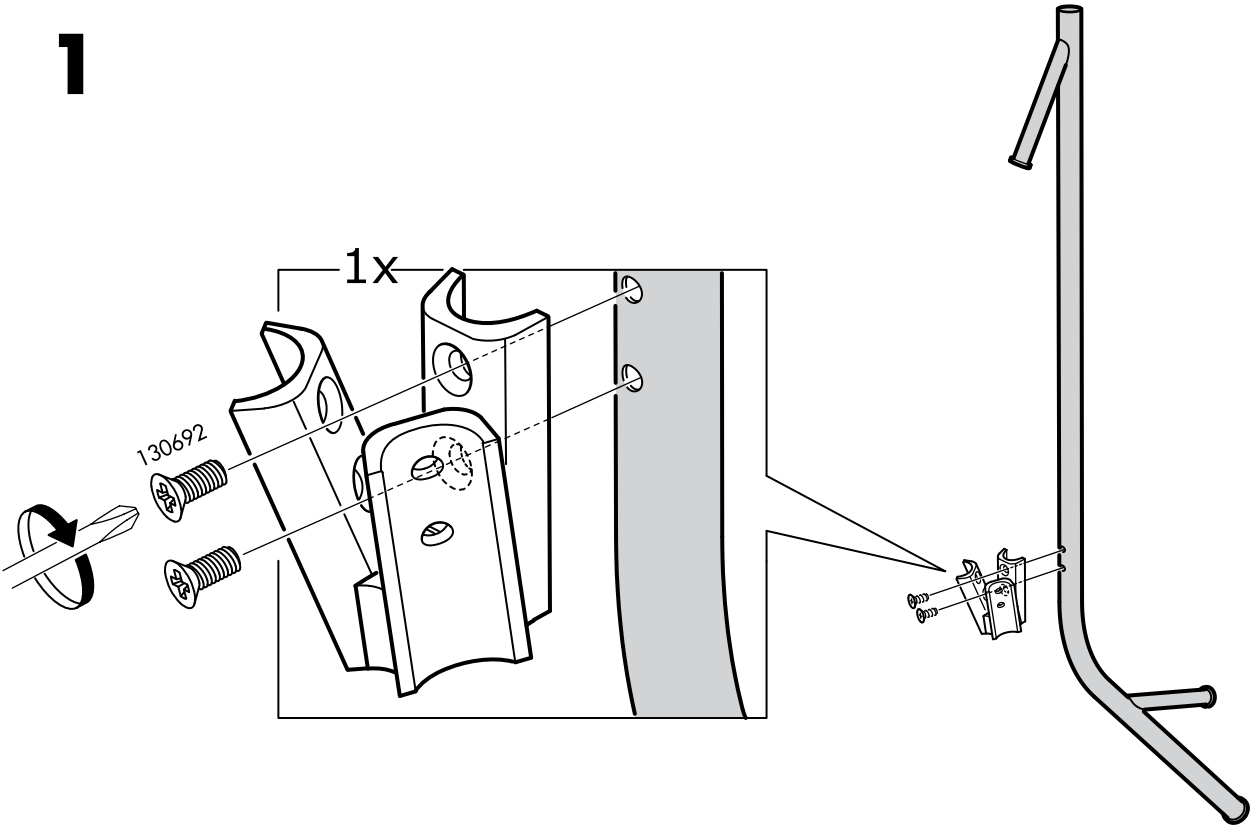


Design and Quality
IKEA of Sweden

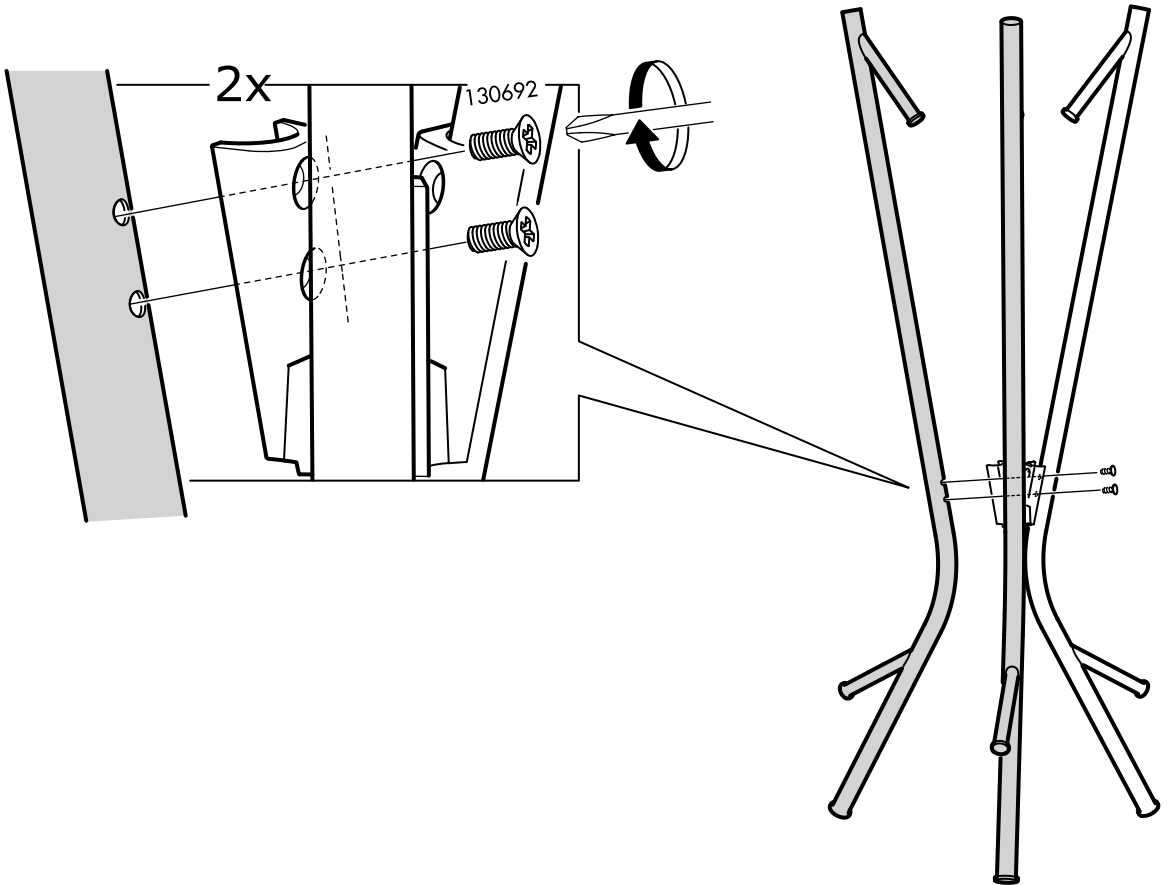


6x

1



2



3

