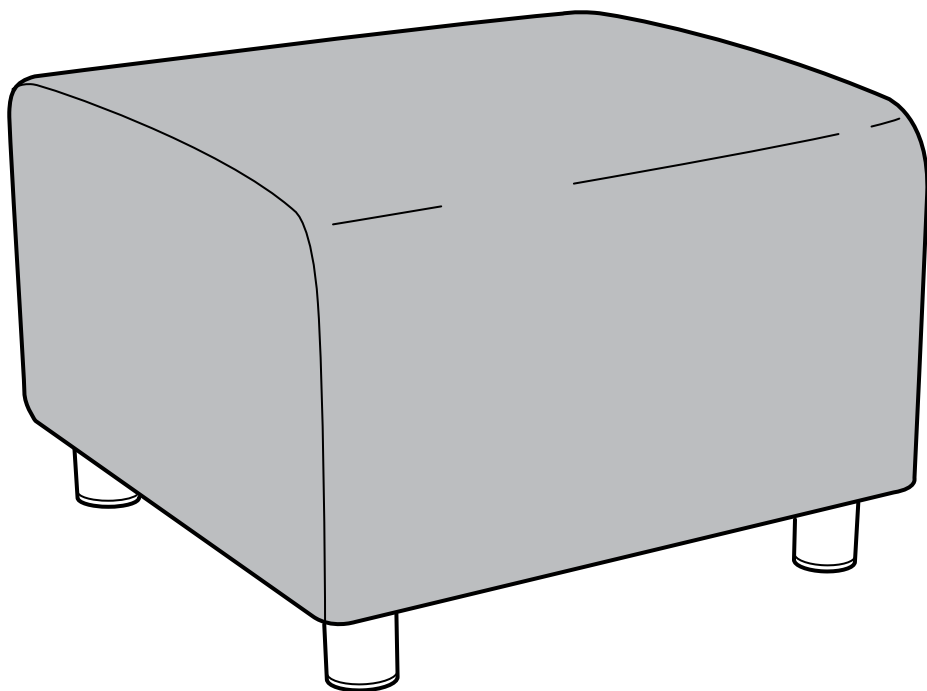
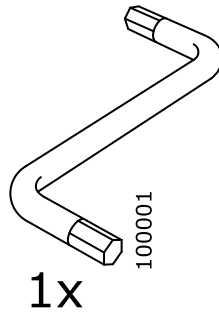
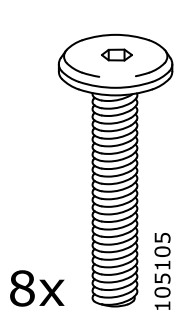
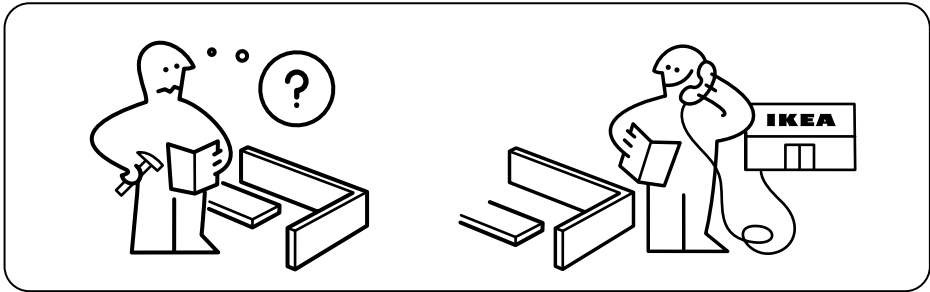


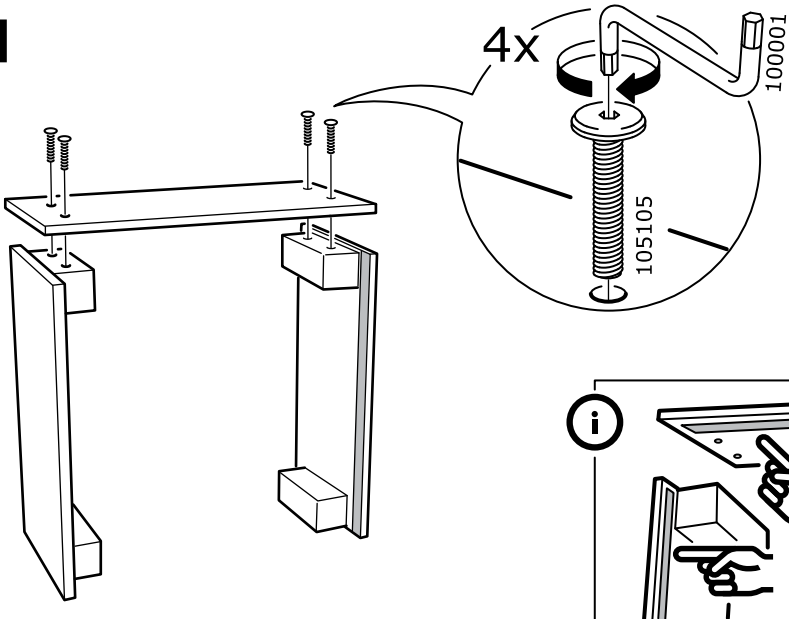
KLIPPAN

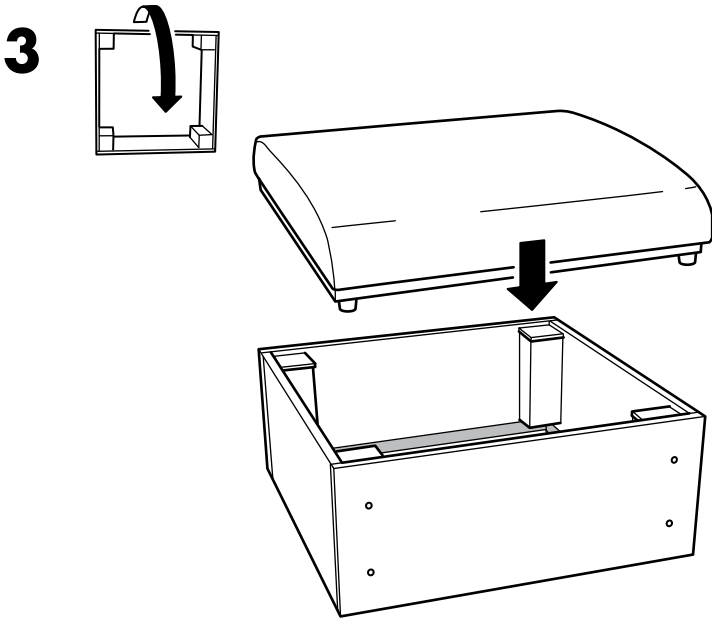
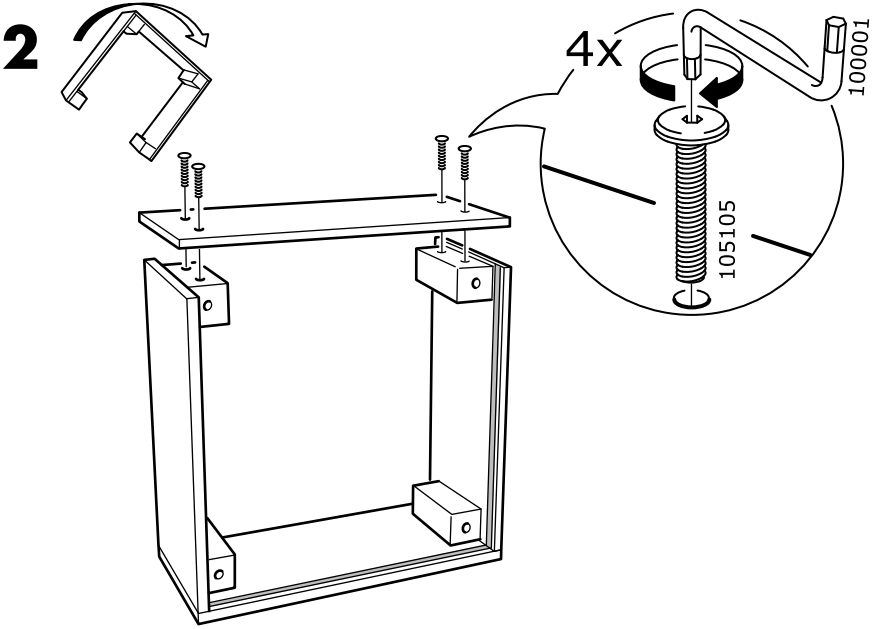


Design and Quality
IKEA of Sweden

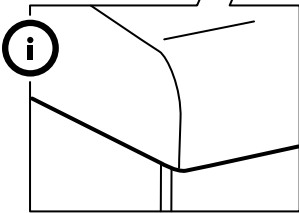
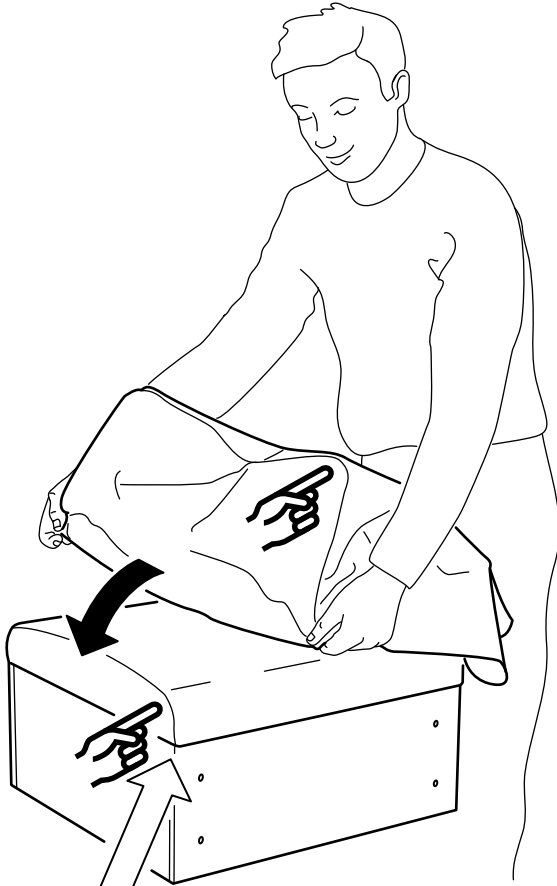


1

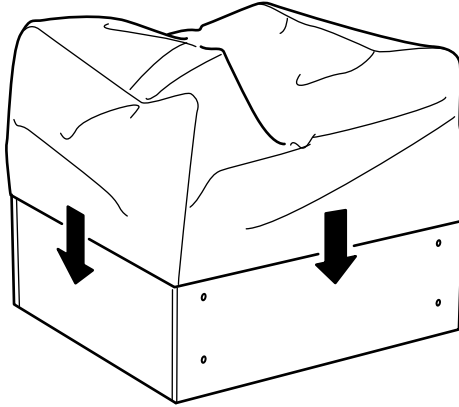




4



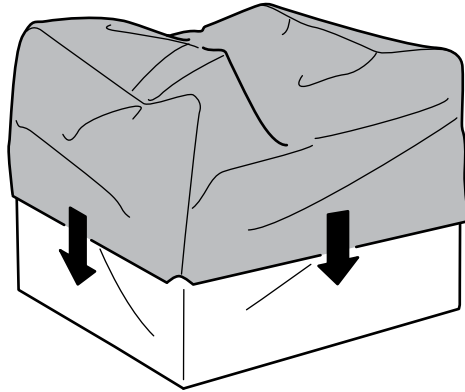
5



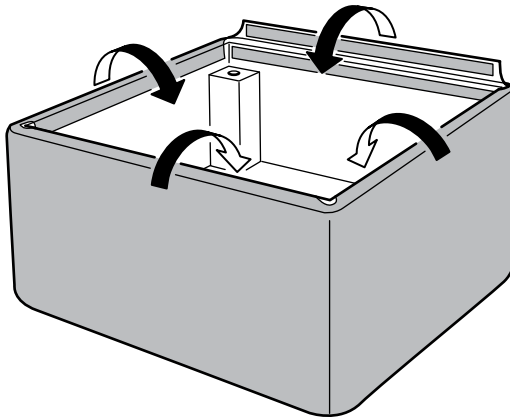
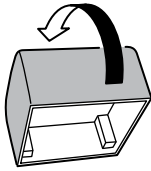
6



7



8



9

