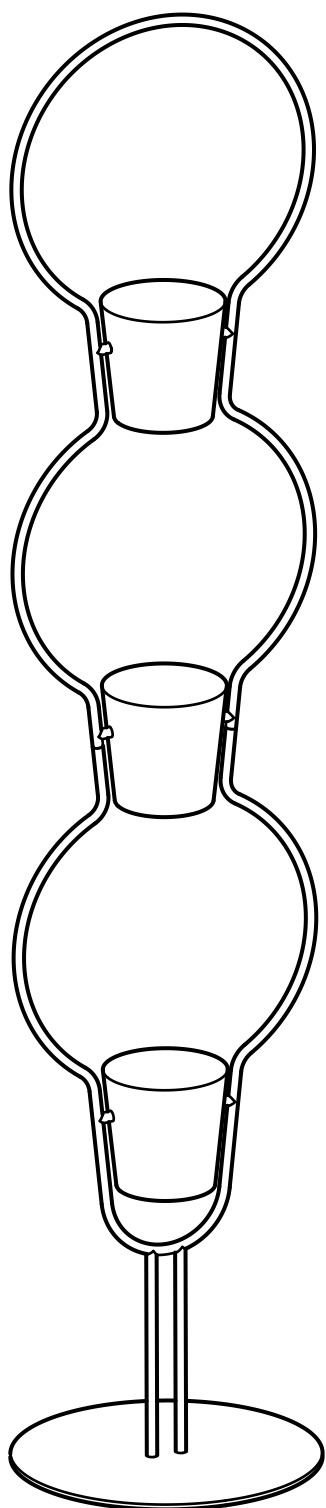
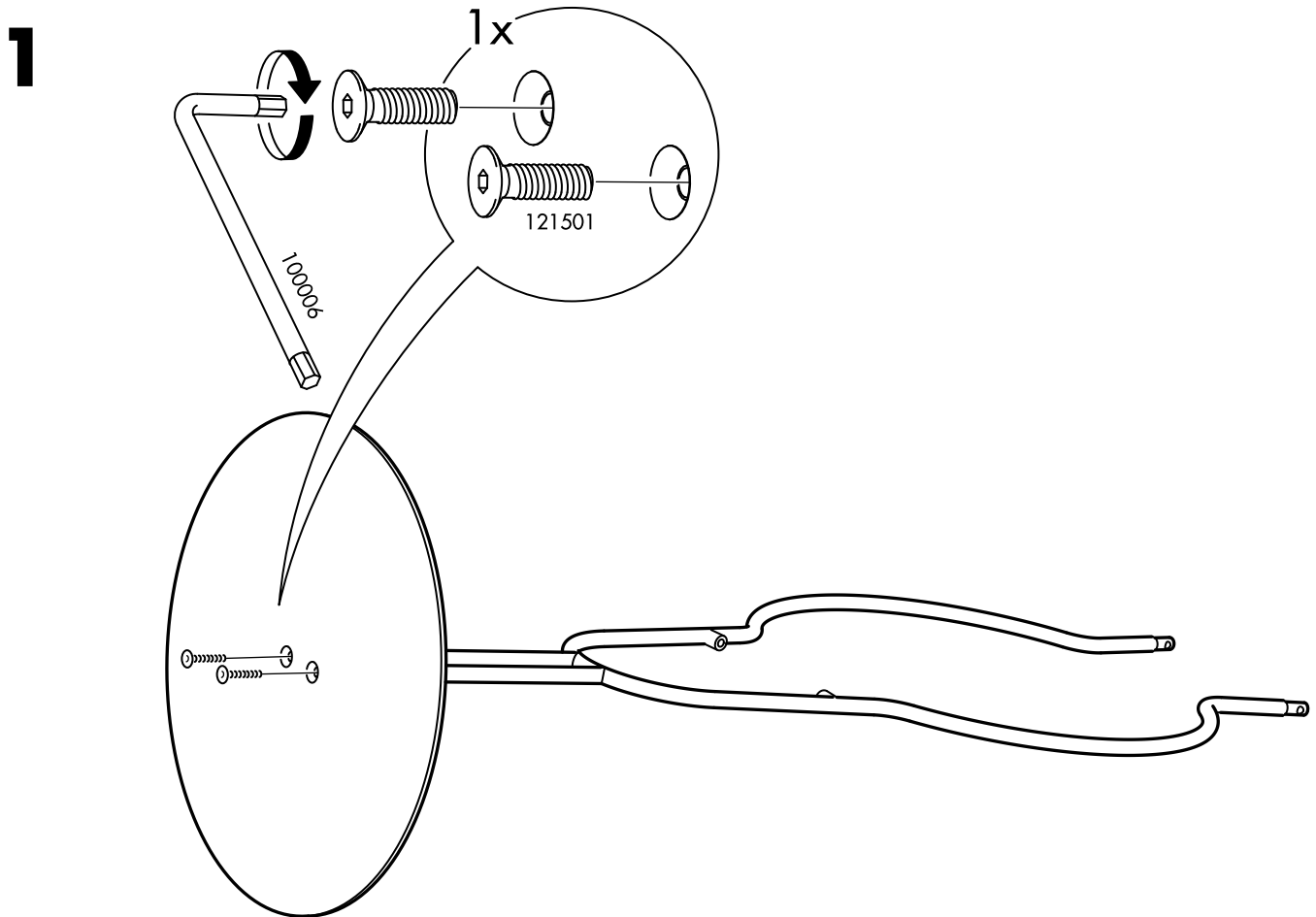
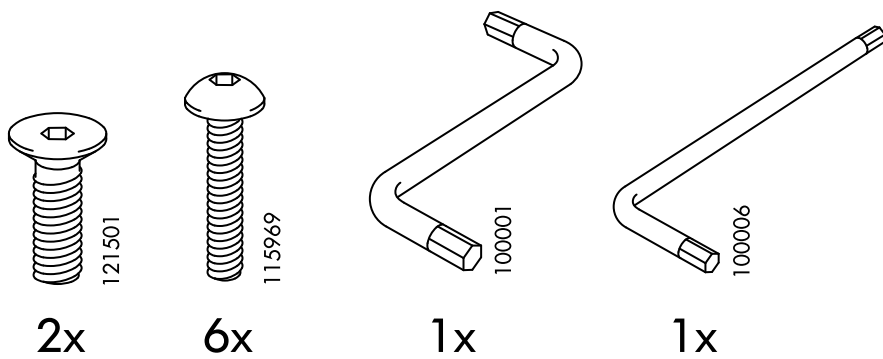
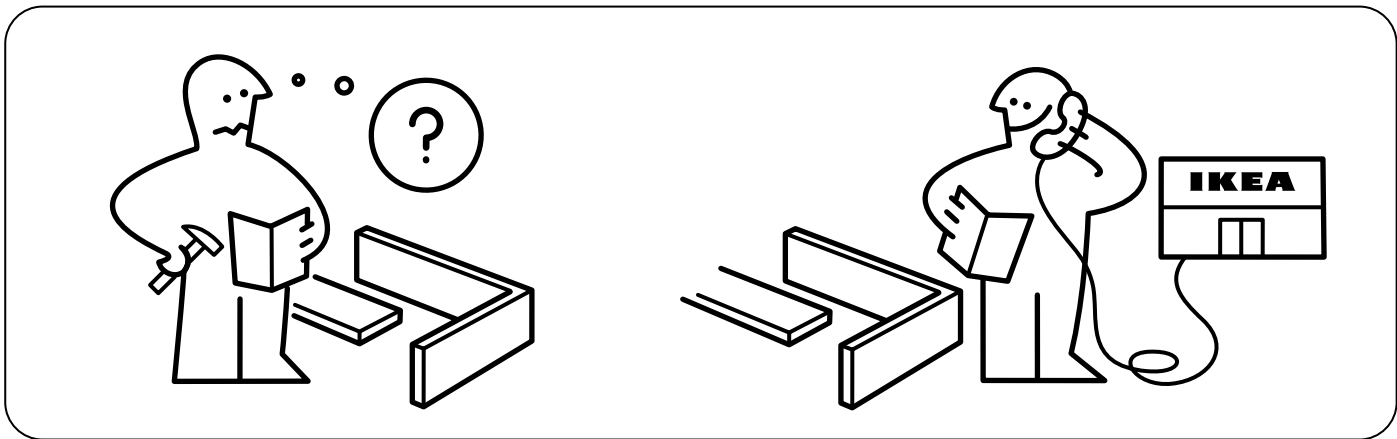


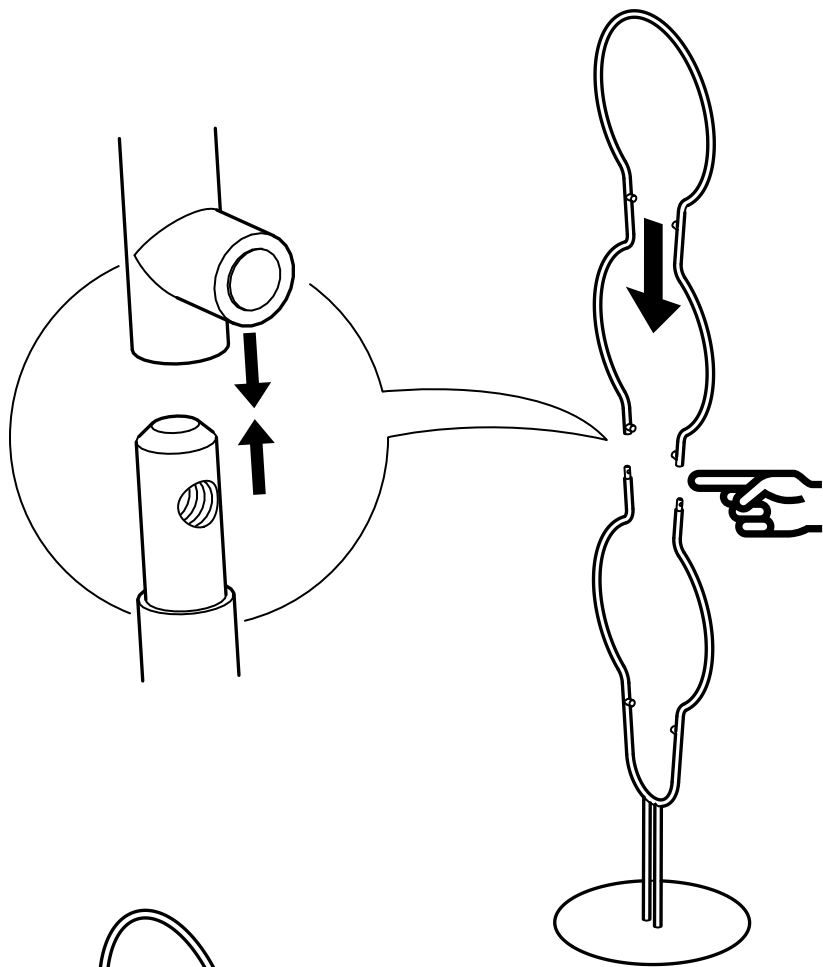
# IKEA PS 2012



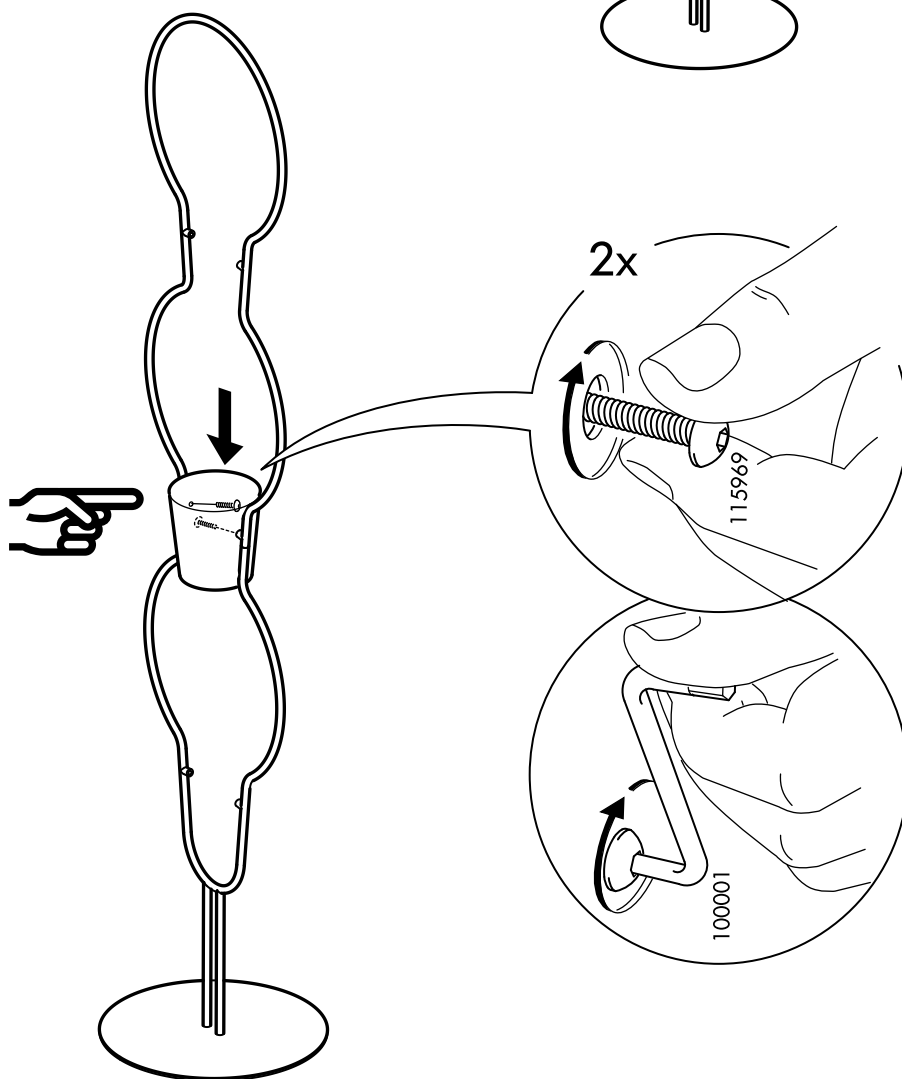
Design and Quality  
IKEA of Sweden



**2**



**3**



# 4

