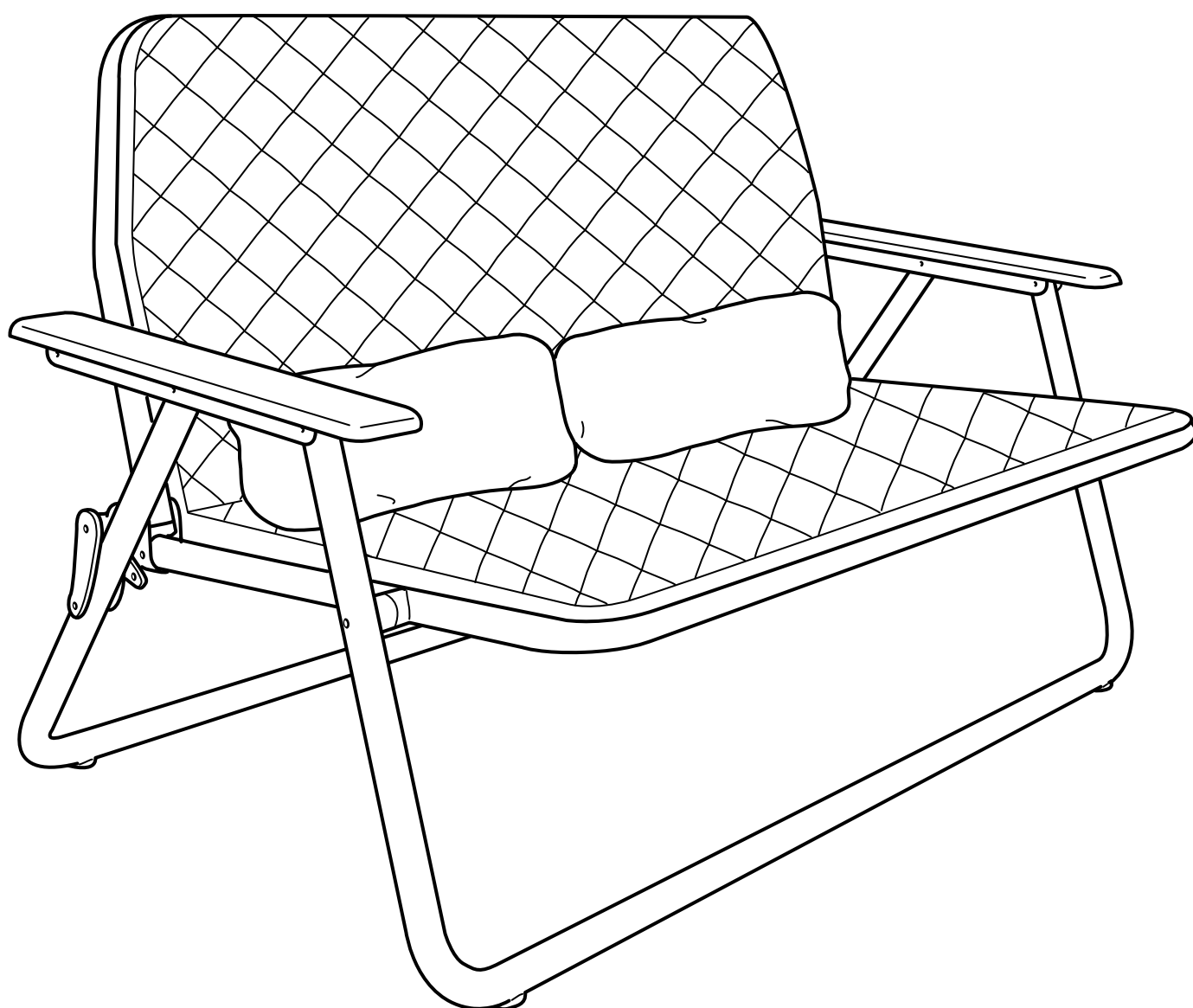
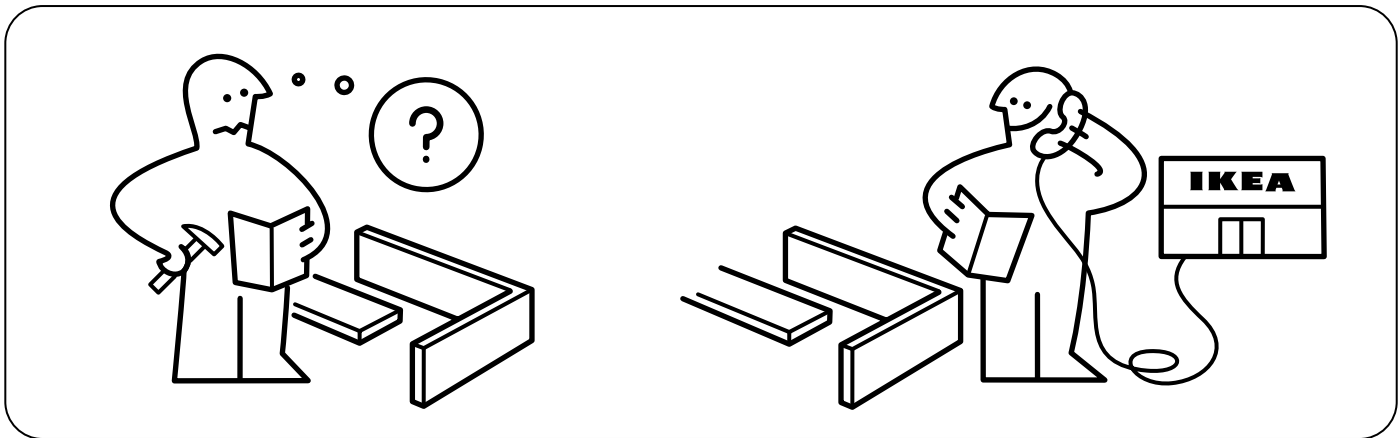
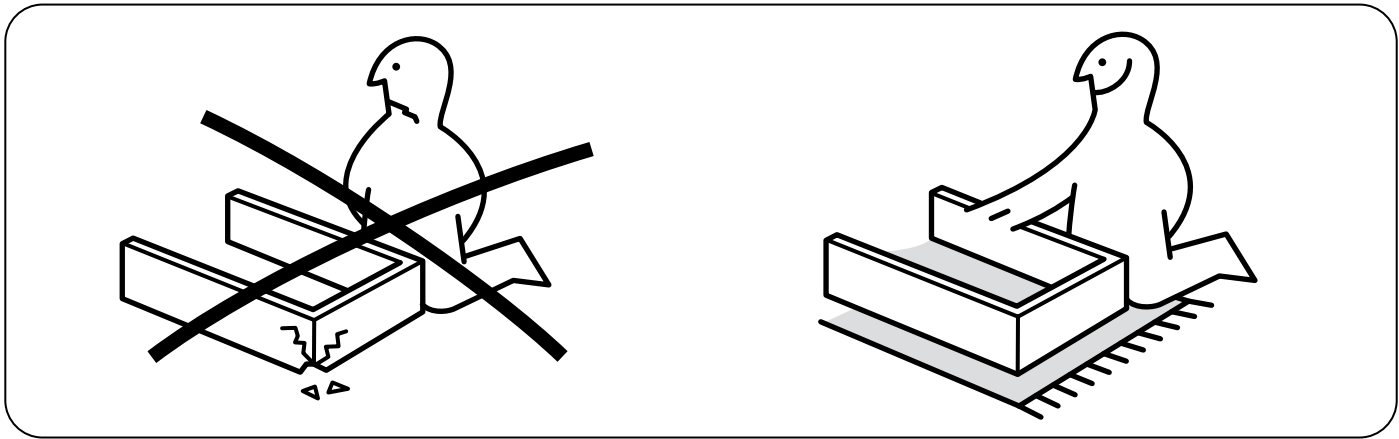
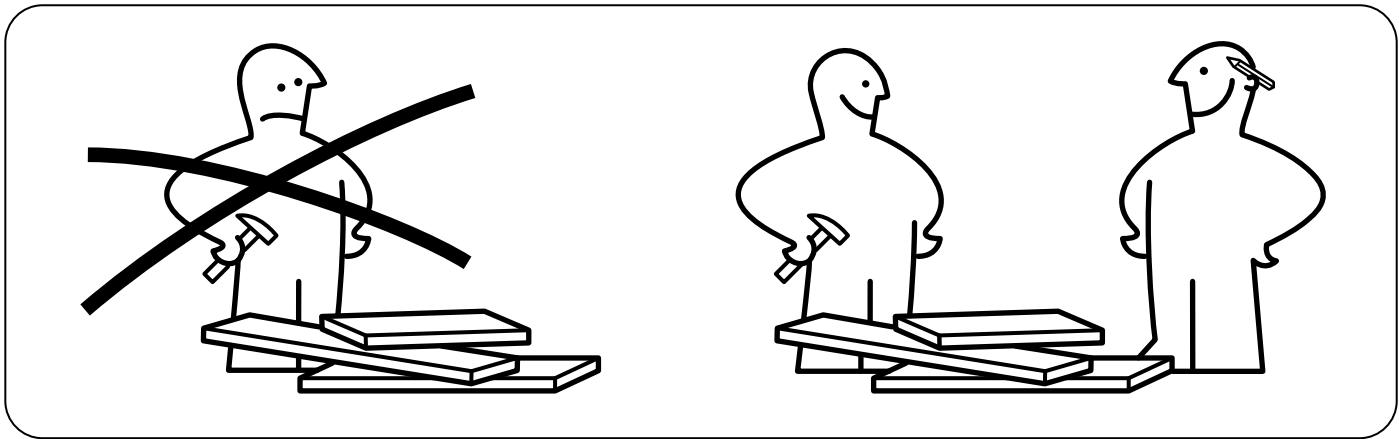


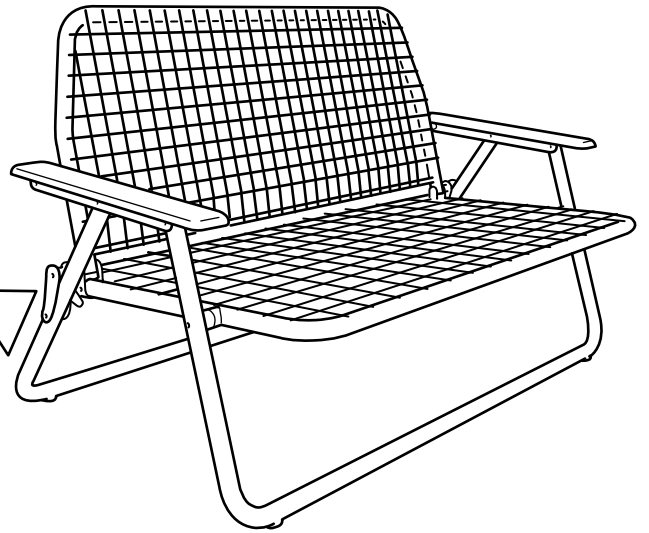
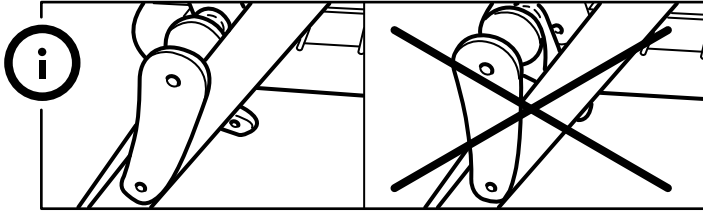
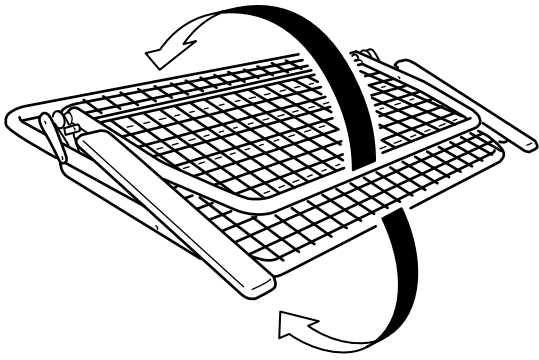
# IKEA PS 2017



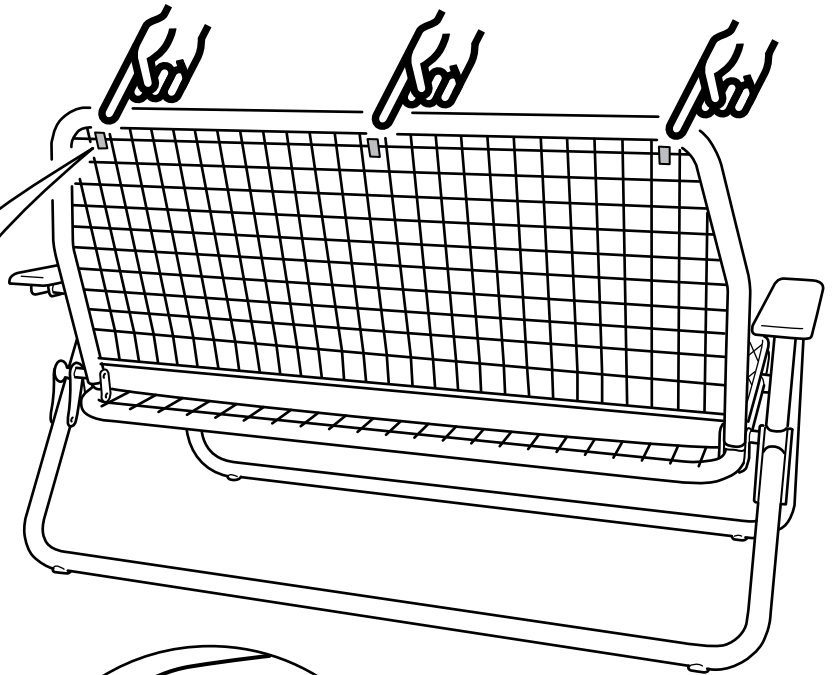
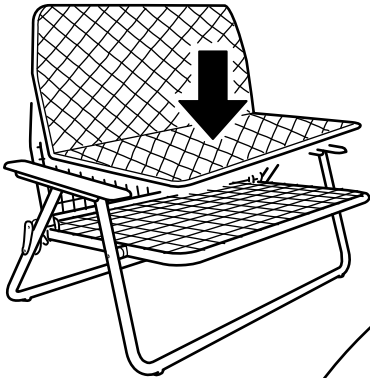
Design and Quality  
IKEA of Sweden



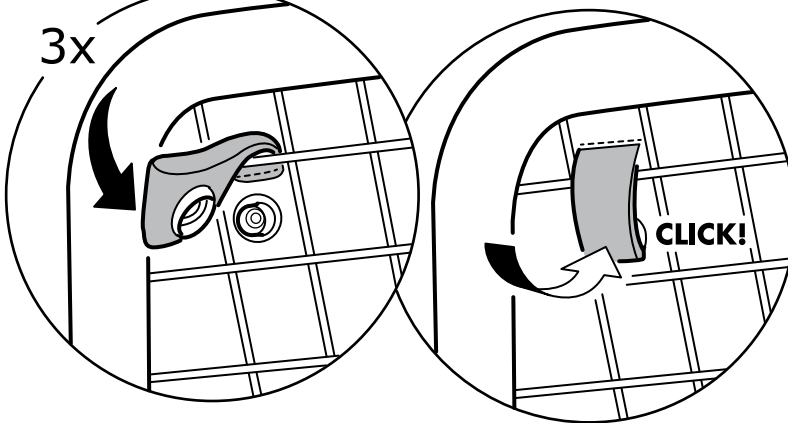
1



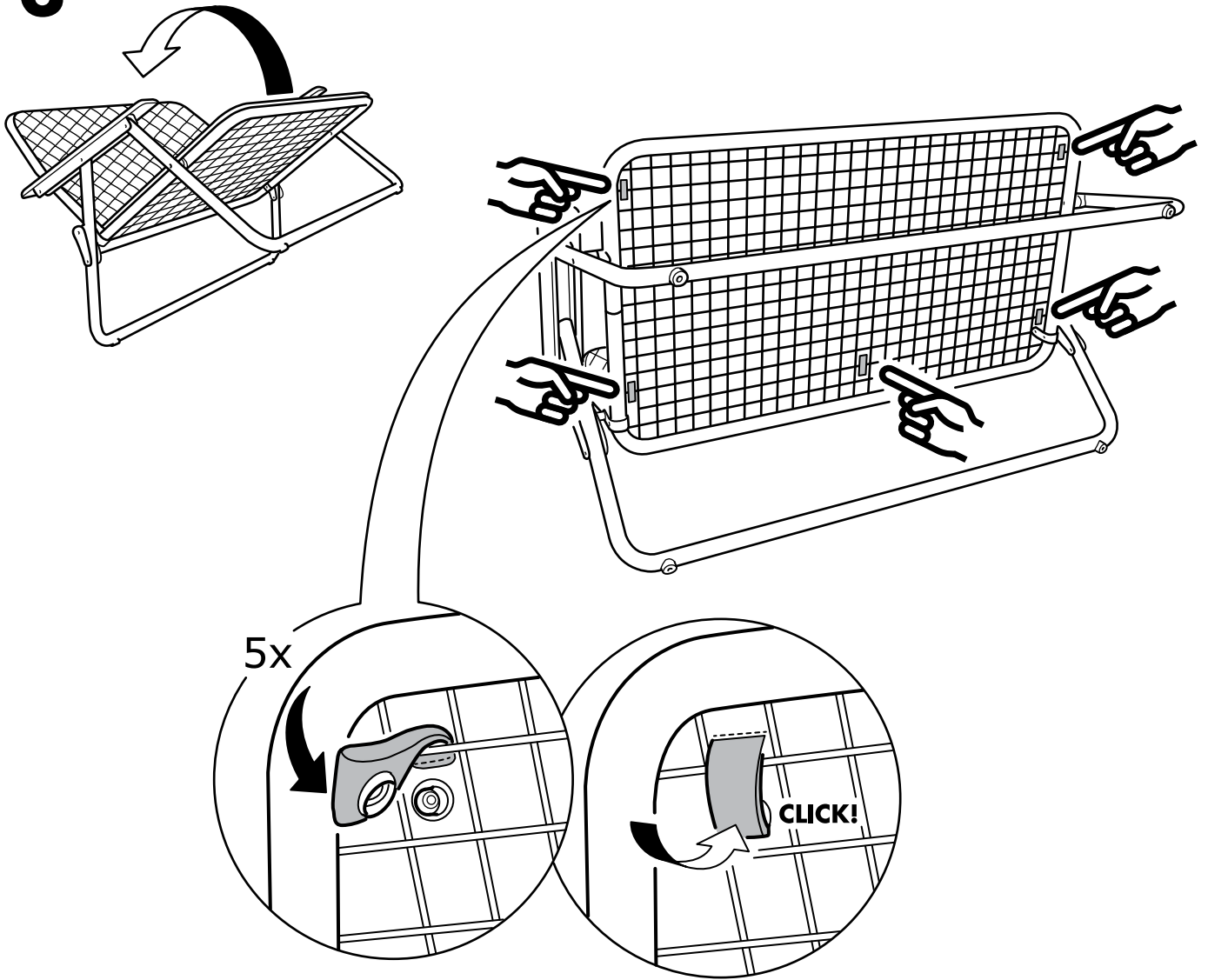
2



3x



**3**



**4**

