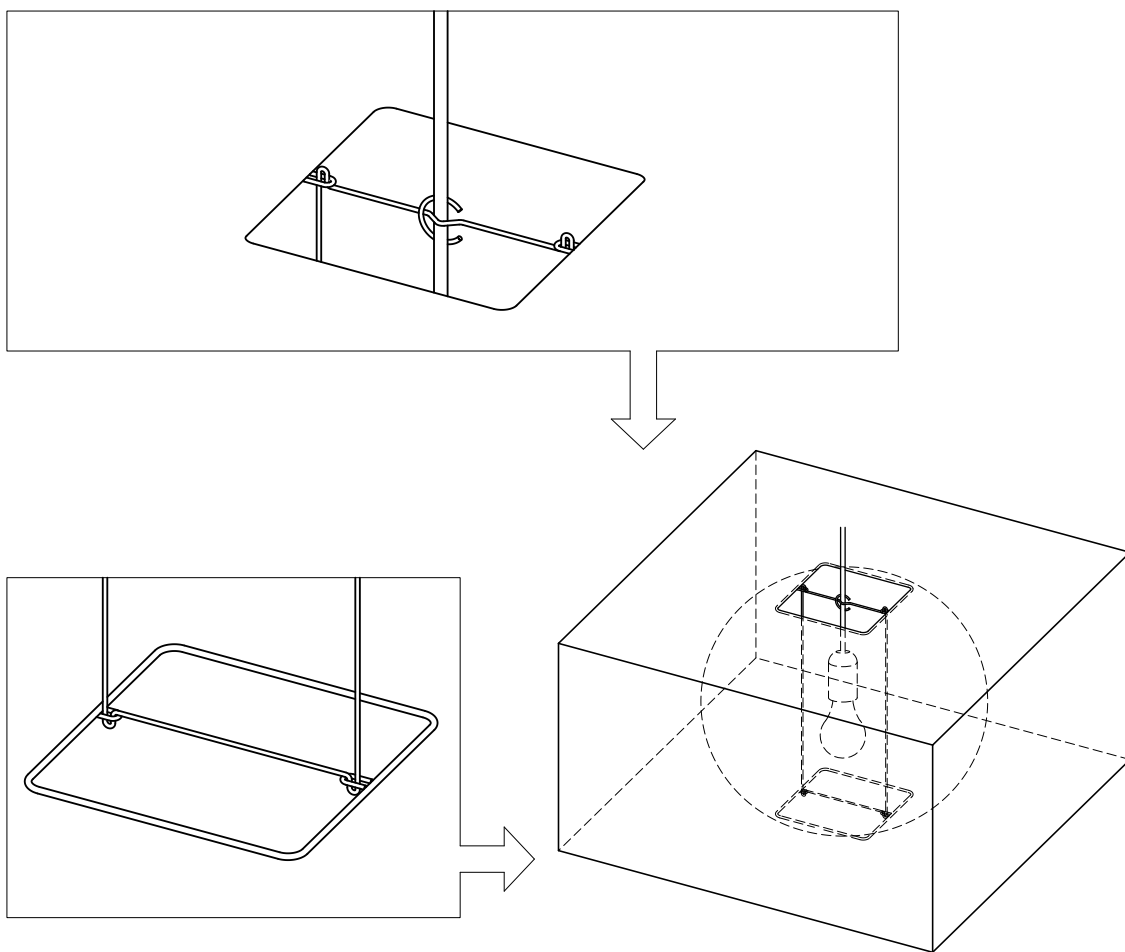


FUNBO



AA-1087146-1
©Inter IKEA Systems B.V. 2013

15621

IKEA[®]
Design and Quality
IKEA of Sweden