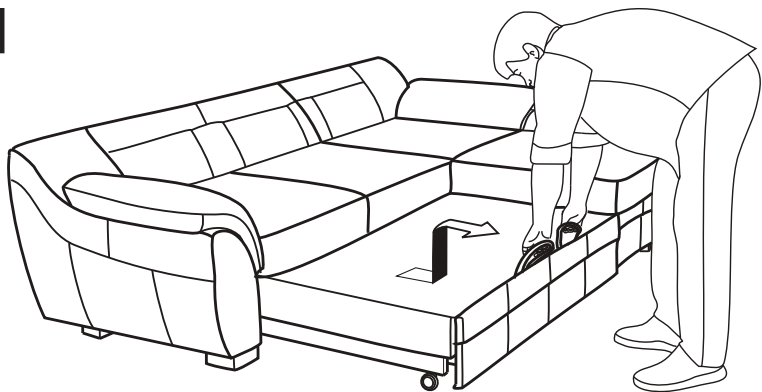
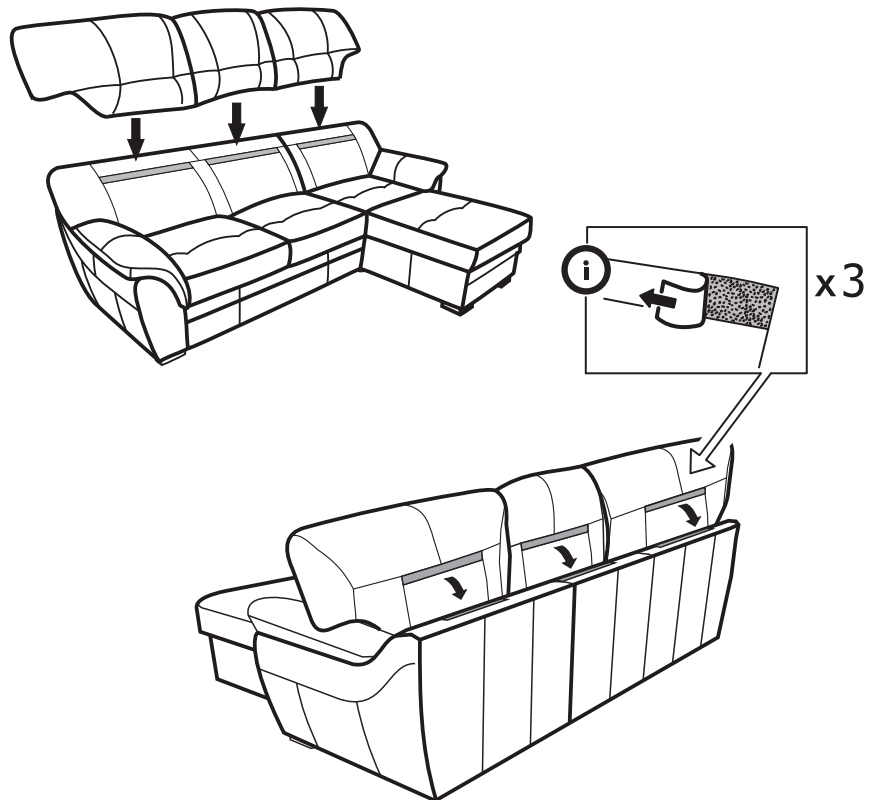


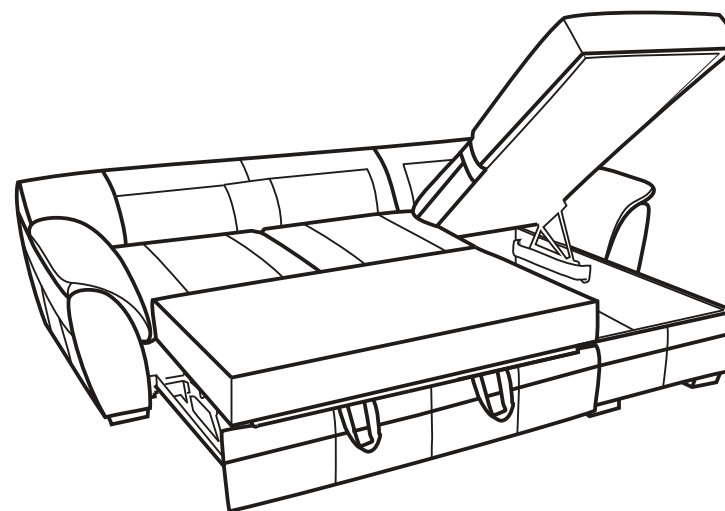
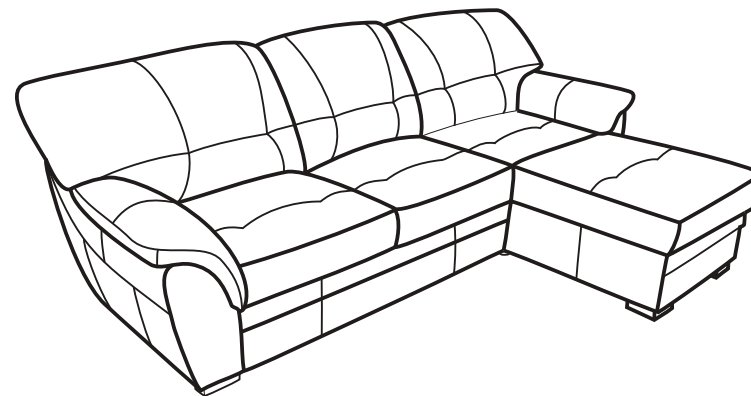
11

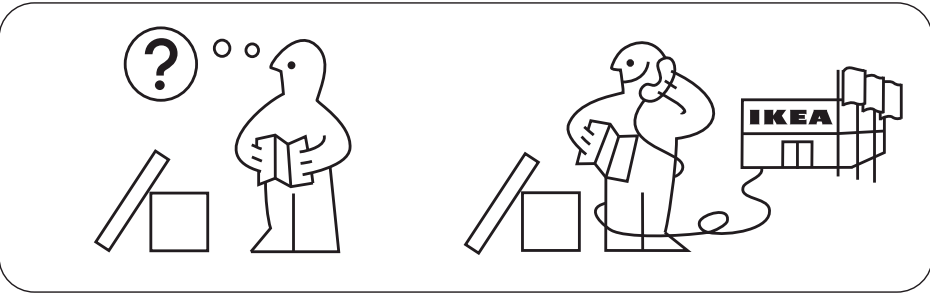
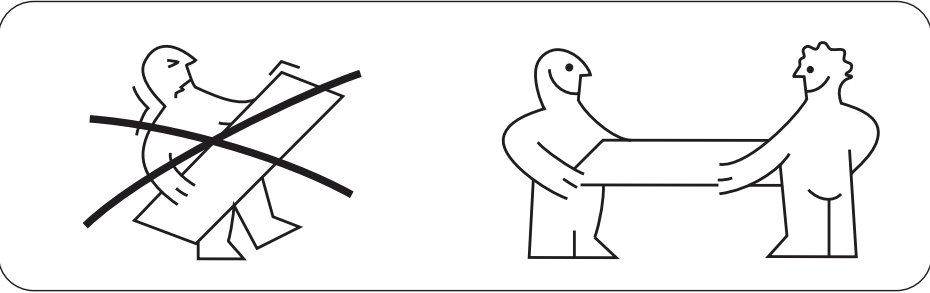
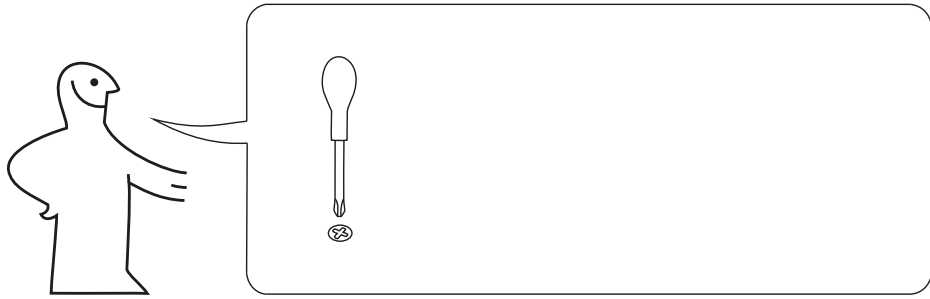


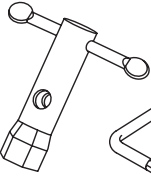
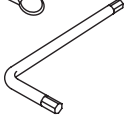






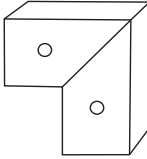
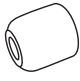
12



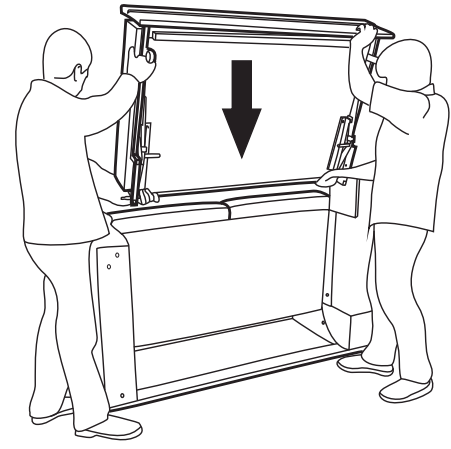
# BJÖRBO



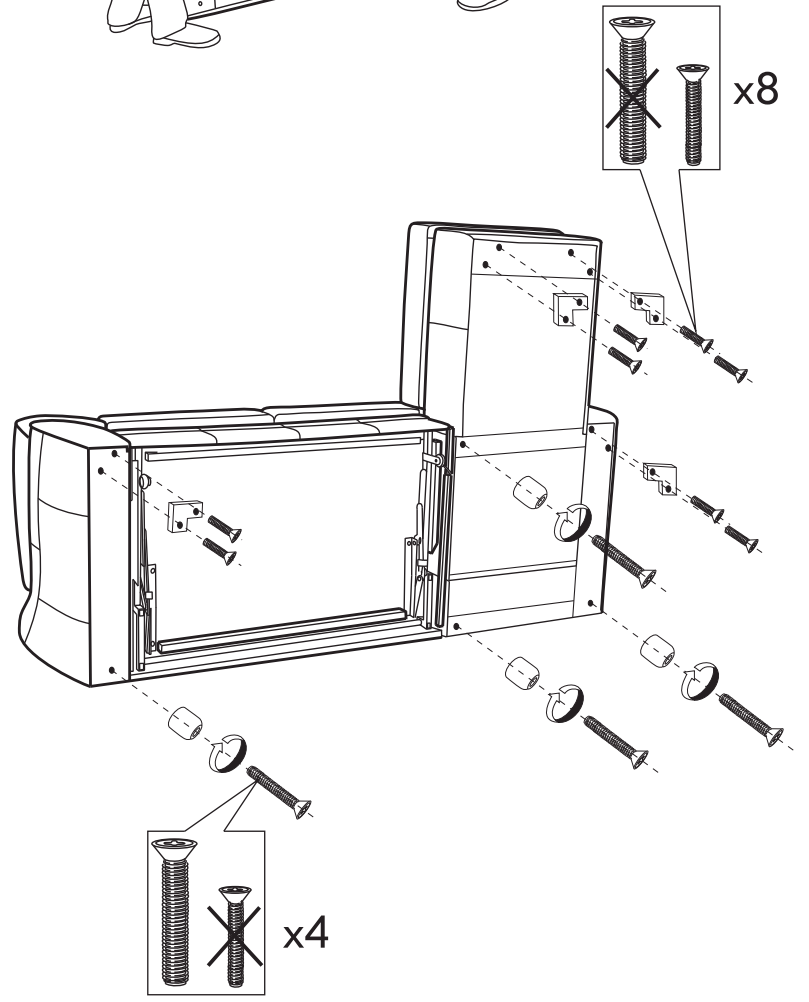


-   
L=65  
x1
-   
L5x65  
x1
-   
ø8  
x2
-   
M8  
x2
-   
M8x60  
x4
-   
M6x45  
x8
-   
M8x40  
x2
-   
M8x60  
x2
-   
x4
-   
x4

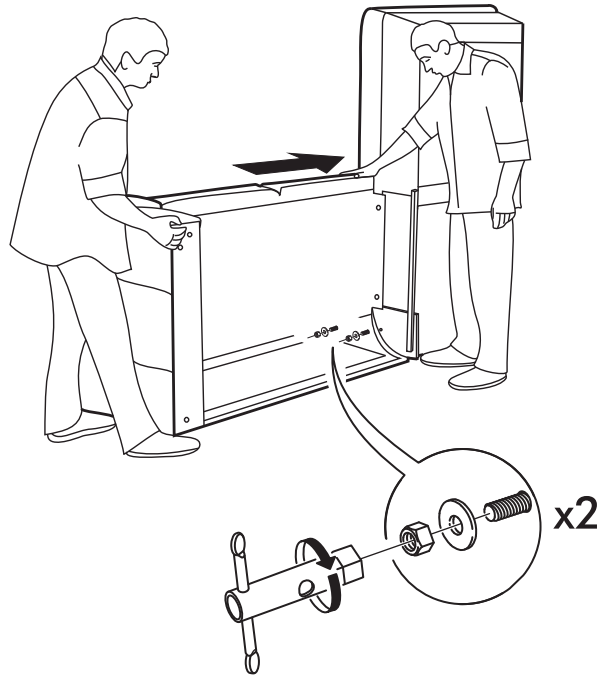
9



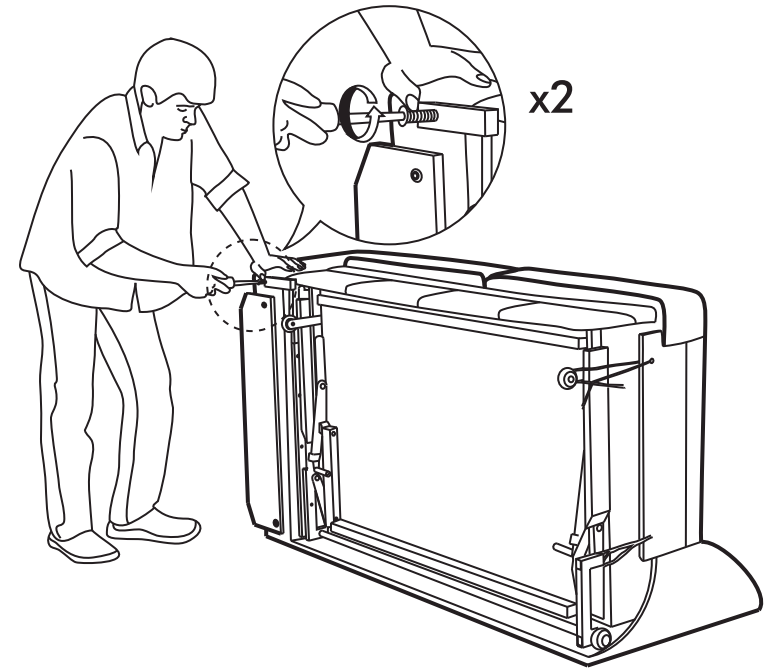
10



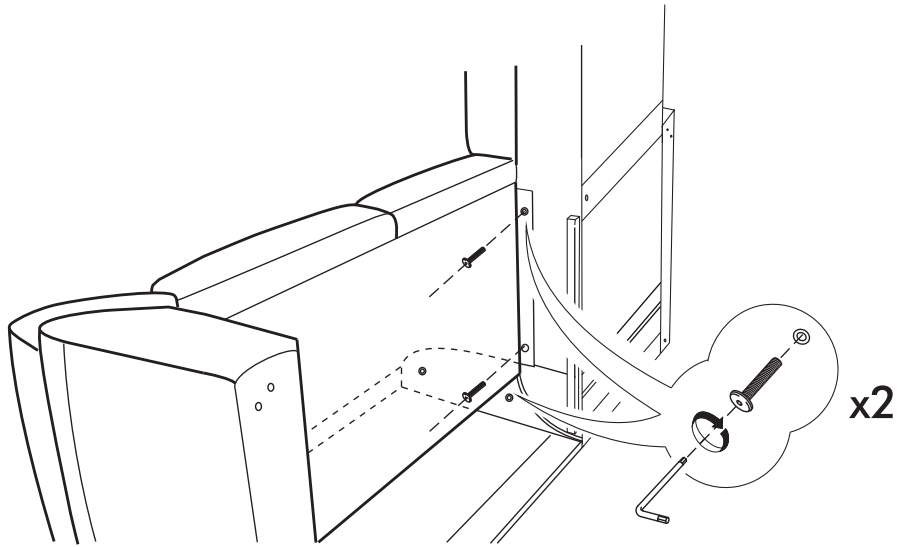
7



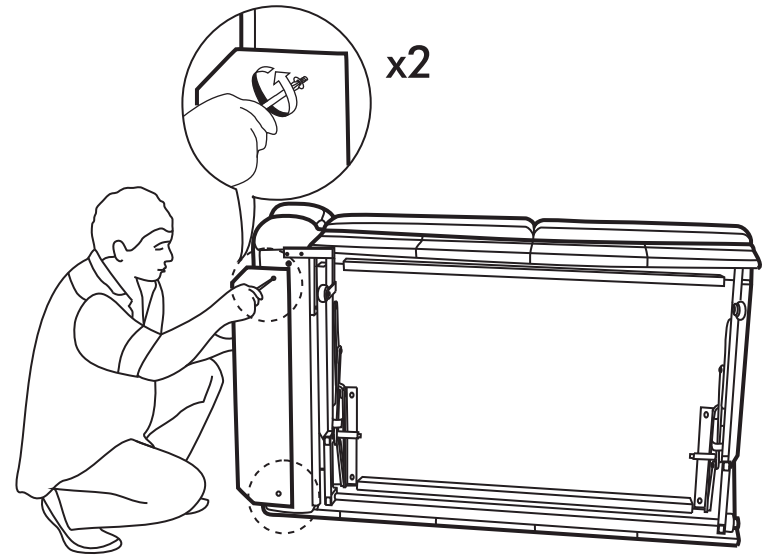
1



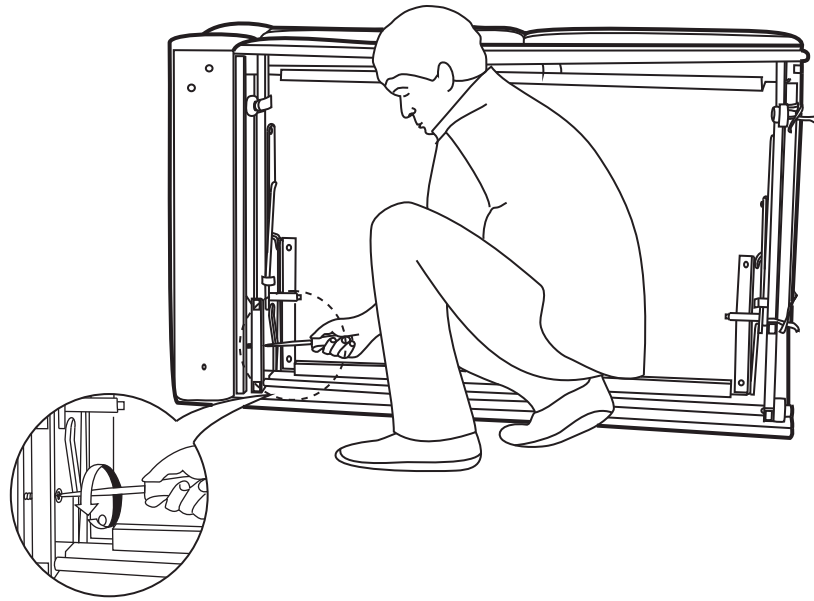
8



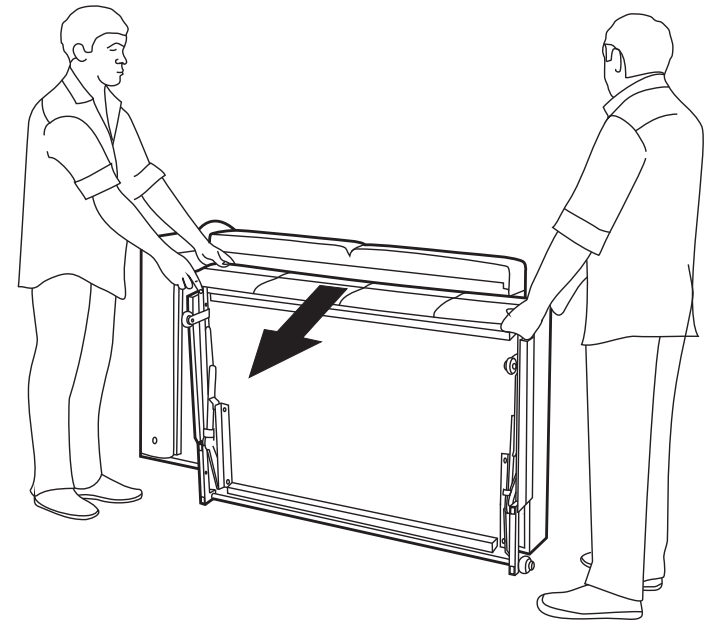
2



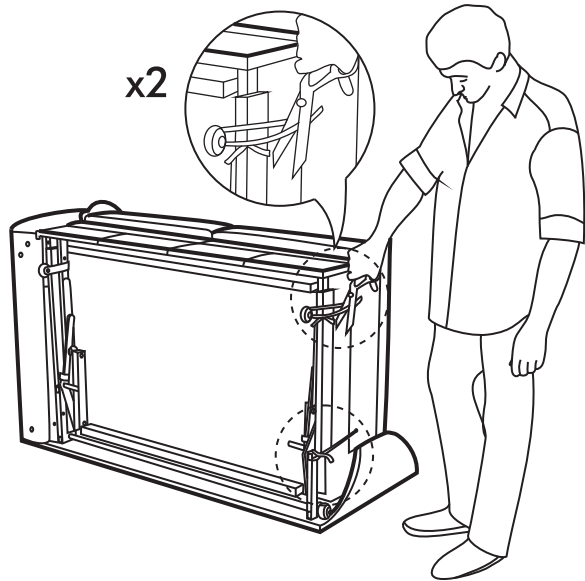
3



5



4



6

