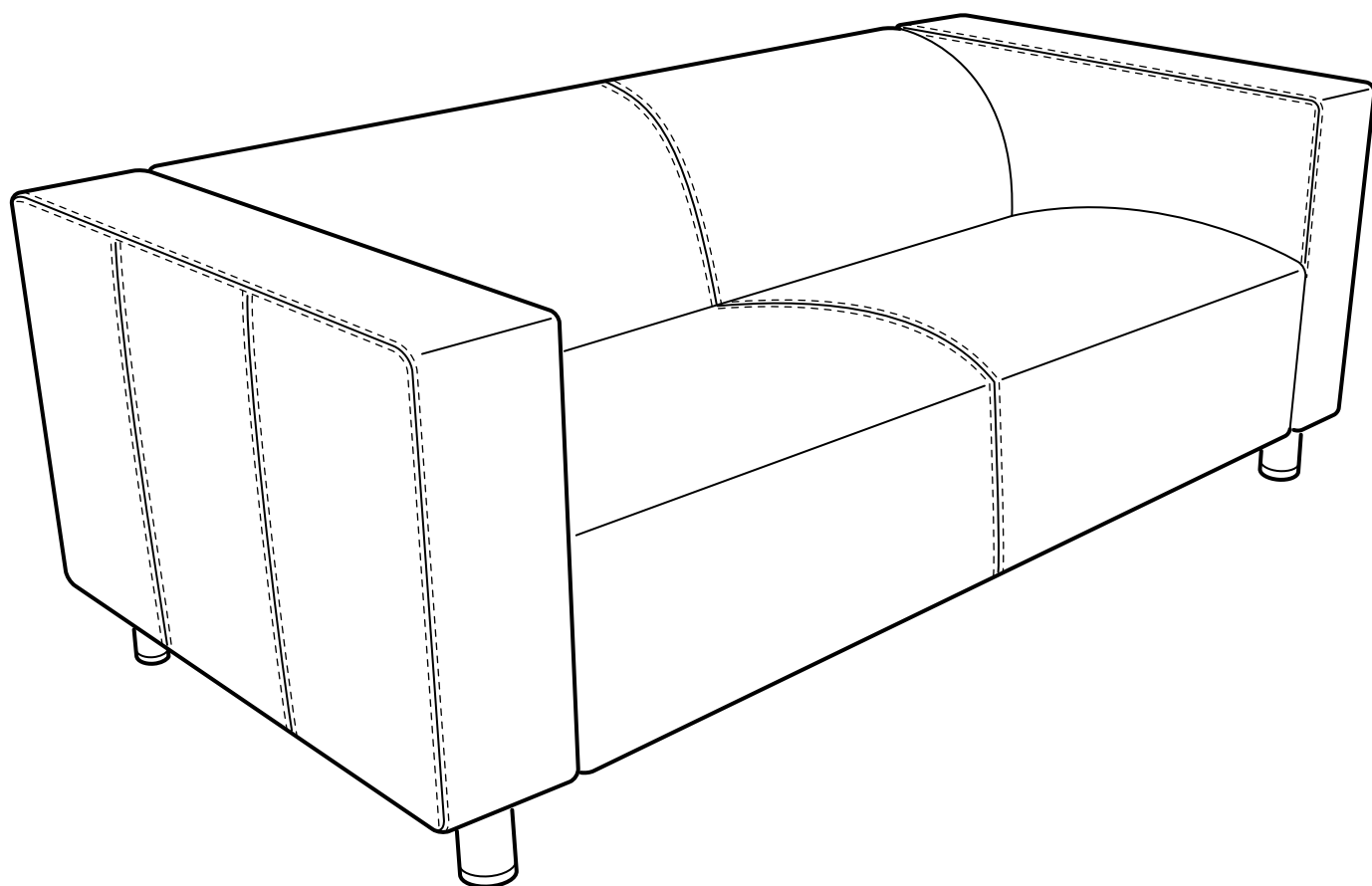
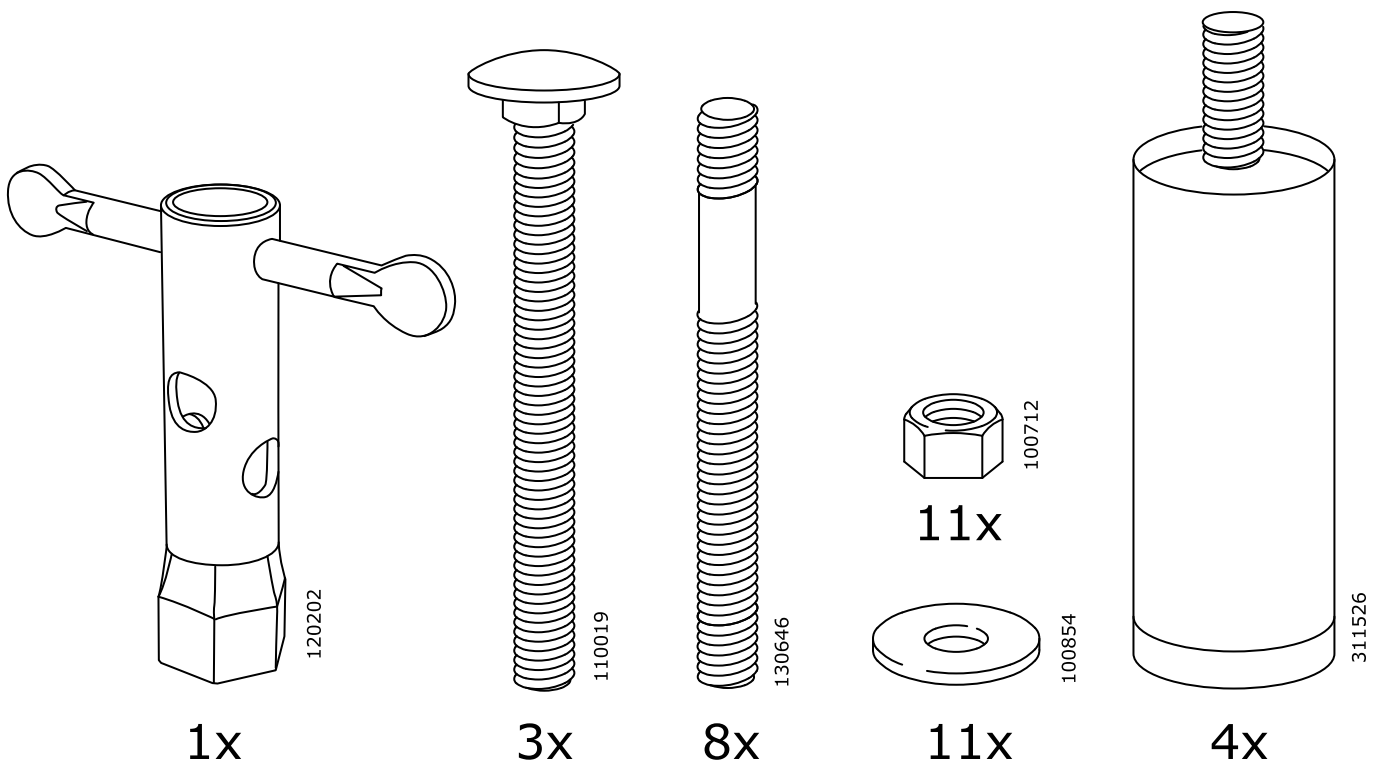
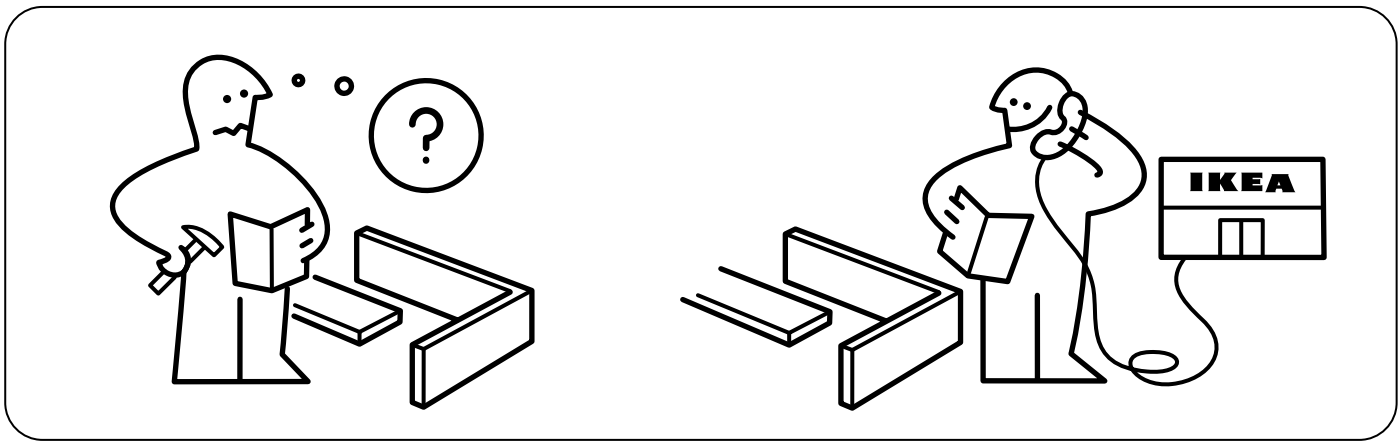
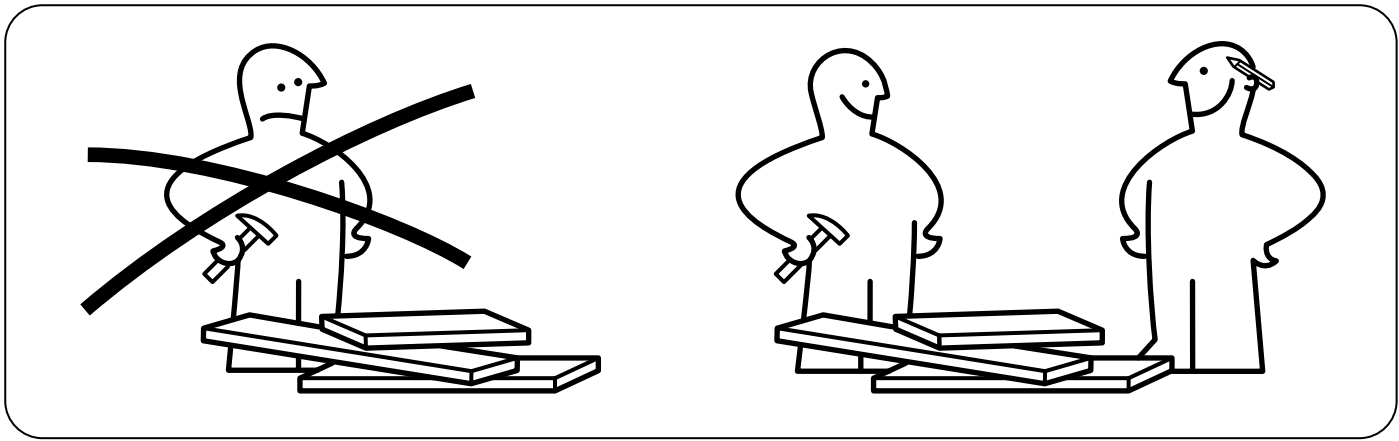


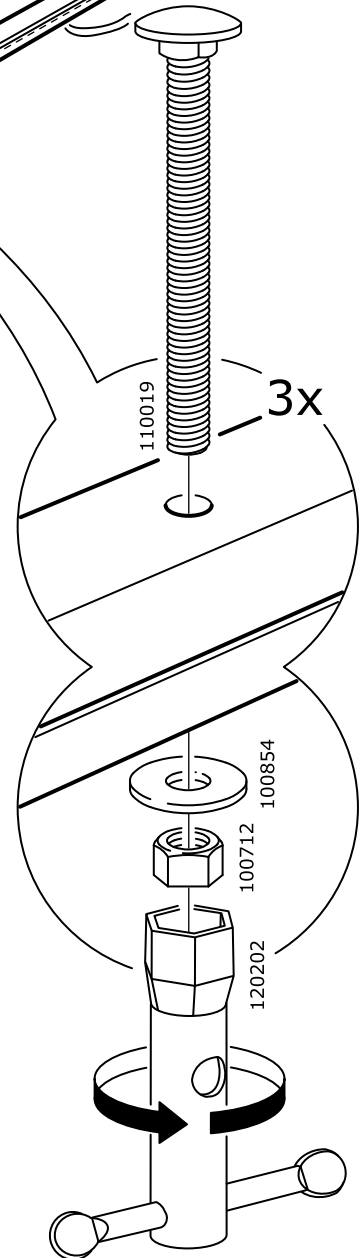
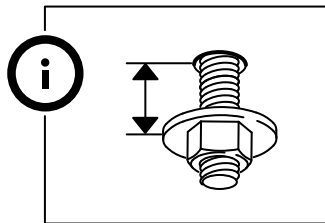
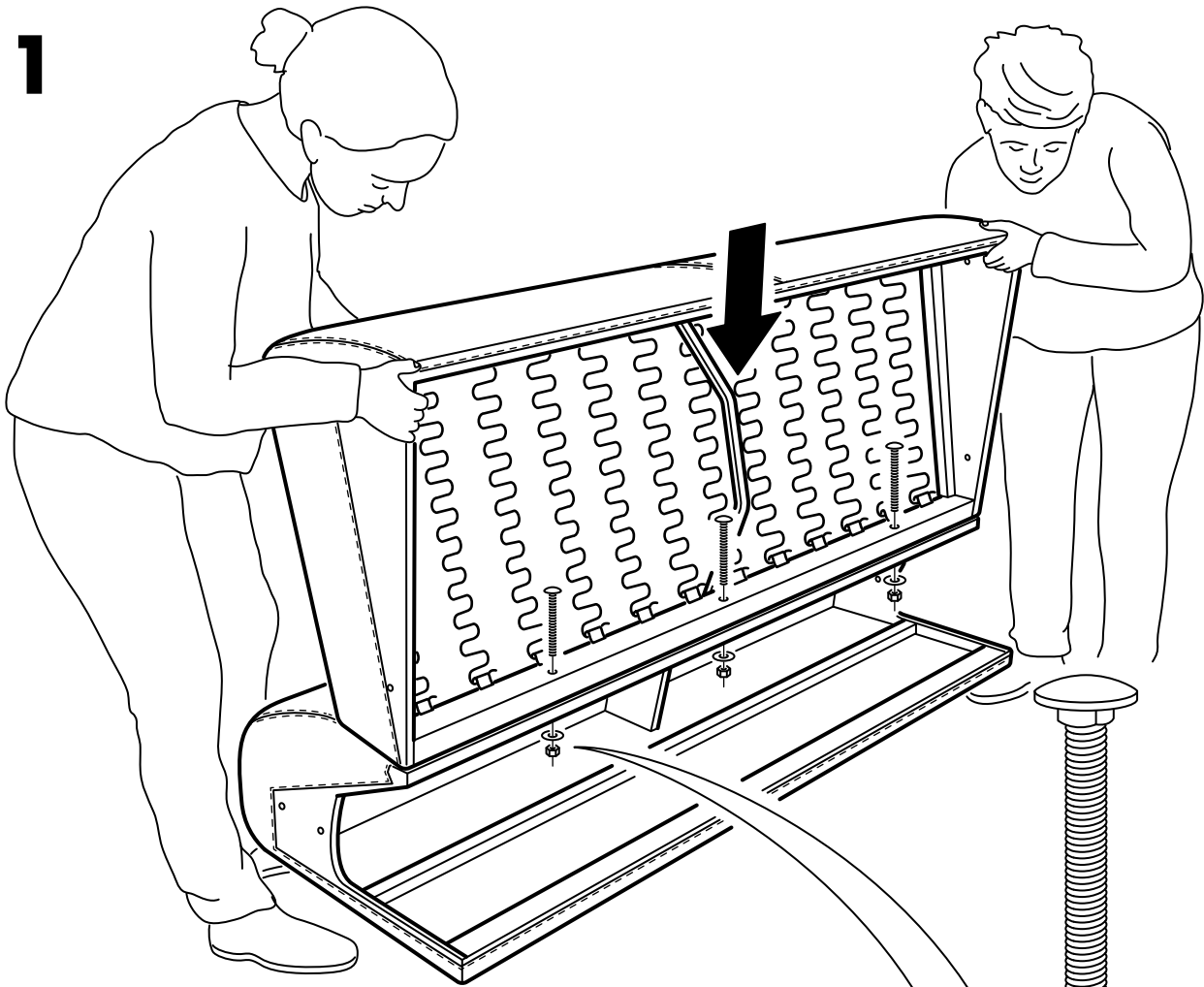
KLIPPAN



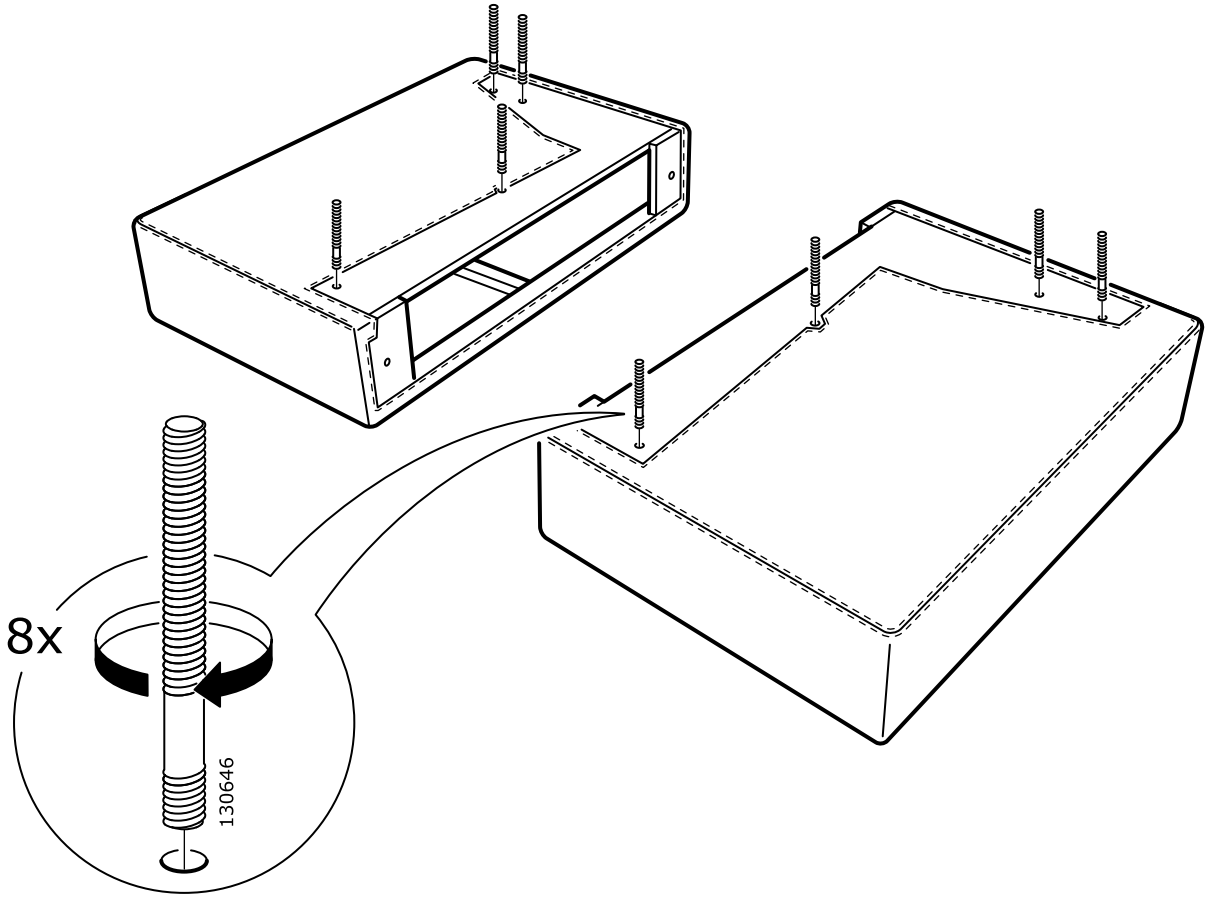
Design and Quality
IKEA of Sweden



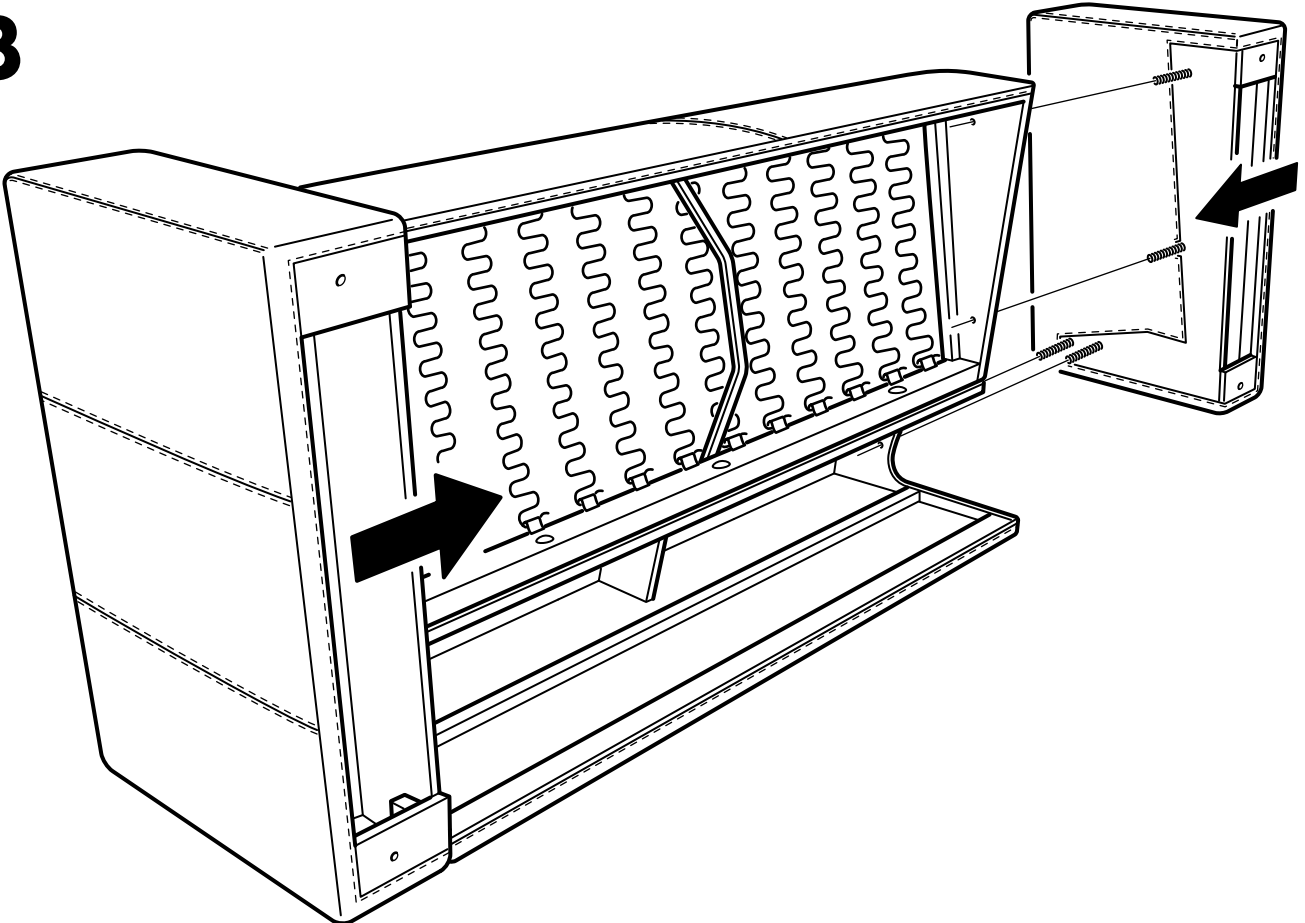
1



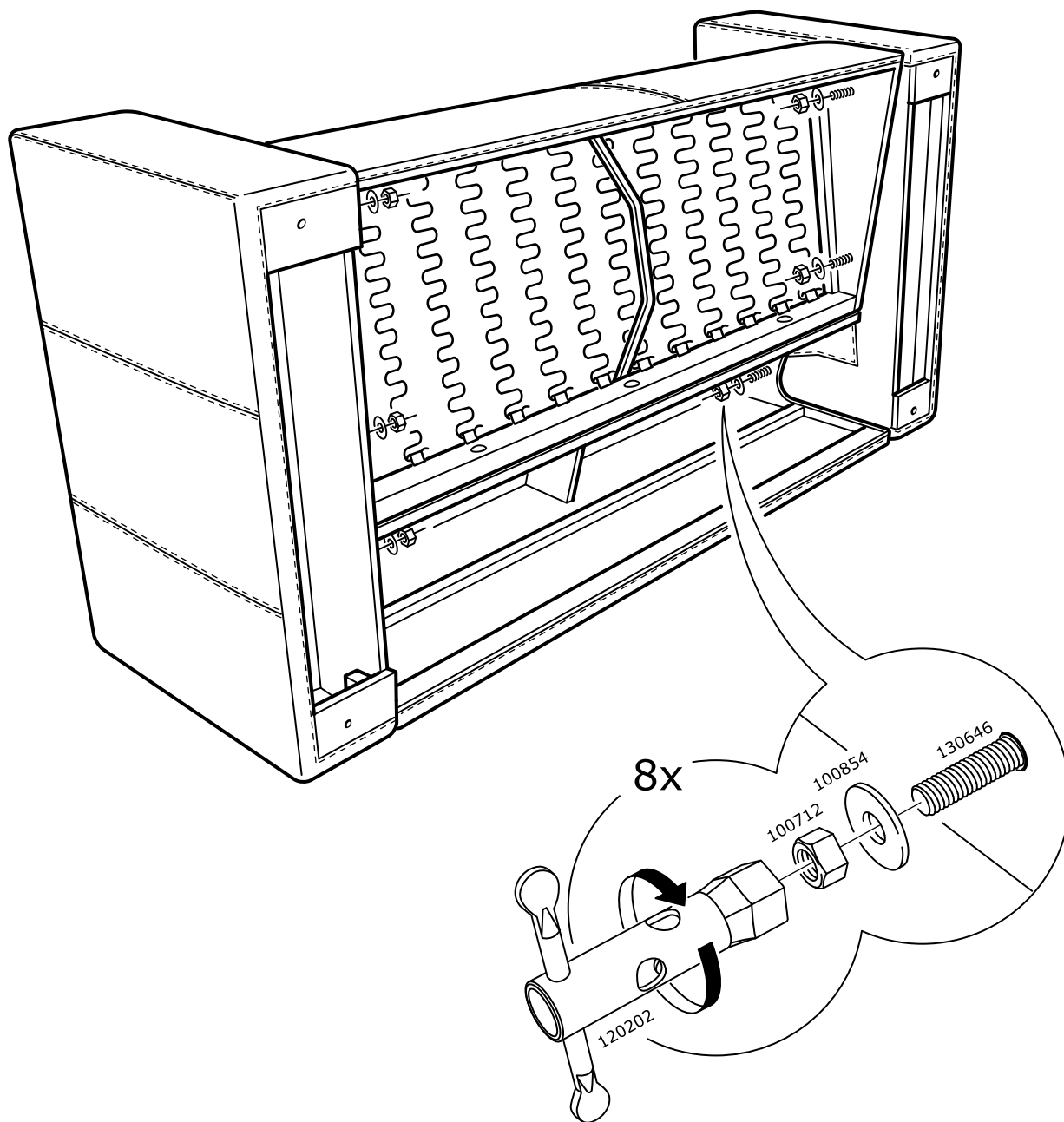
2



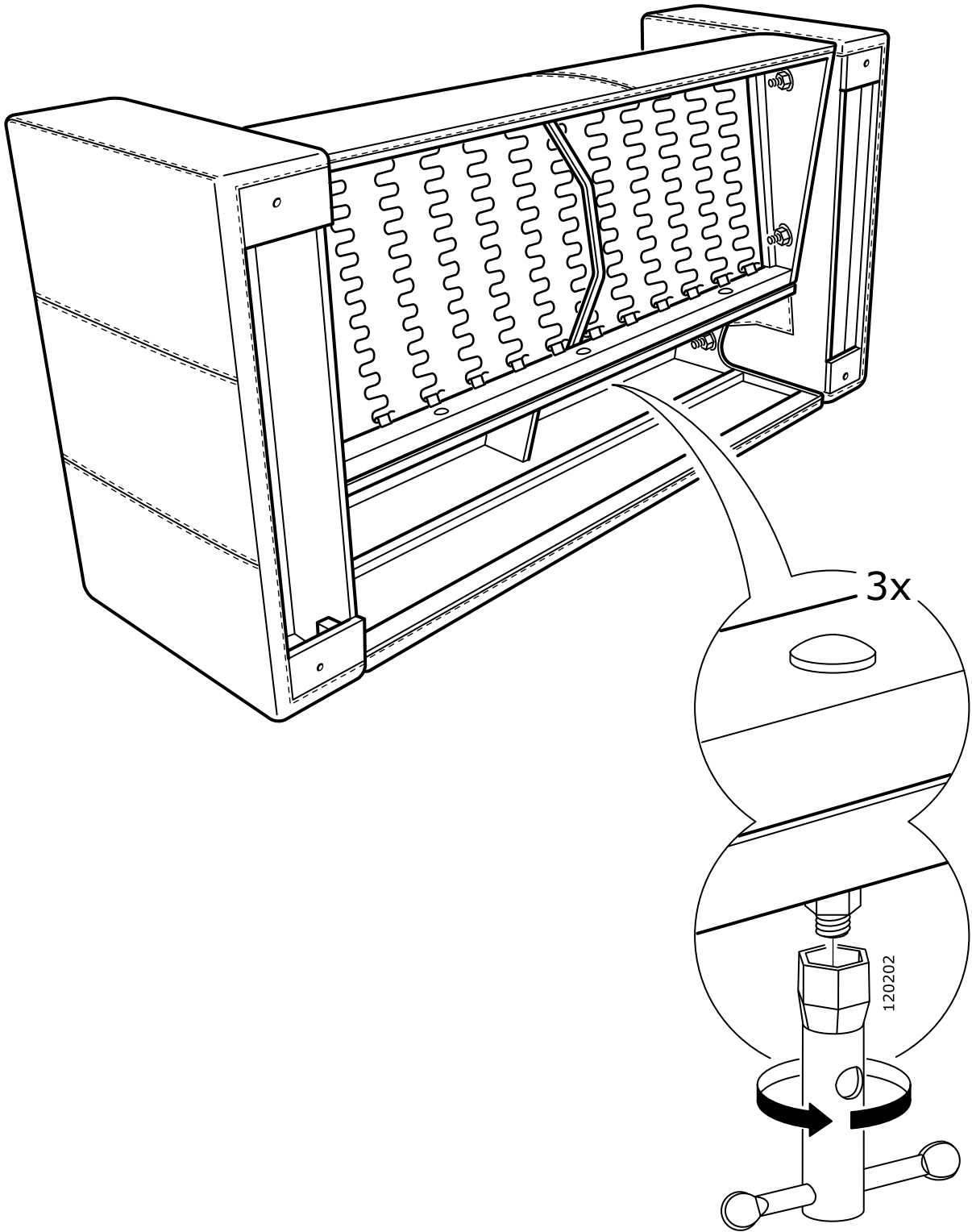
3



4



5



6

